

HINGED DOOR SYSTEMS

DESIGNED FOR 4-POST SHELVING SYSTEMS.

INSTALLATION INSTRUCTIONS



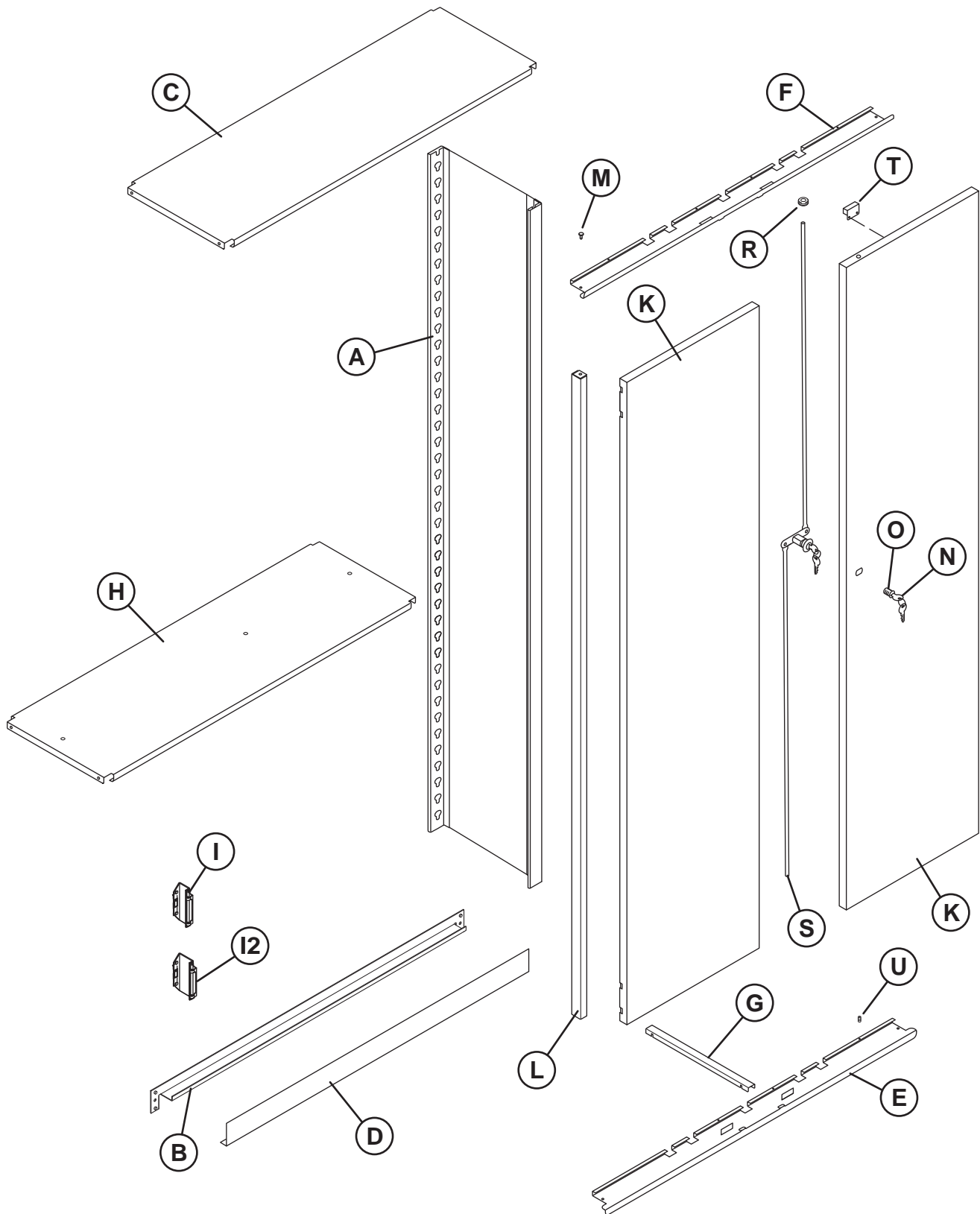
SOUTHWEST**SOLUTIONS**GROUP

SouthwestSolutions.com | 800-803-1083 | info@southwestsolutions.com

Parts Identification – Hinged Doors	2
Parts Listing	3
Safety and Pre-Installation	7
Installation	10



Parts Identification – Hinged Doors



SOUTHWEST**SOLUTIONS**GROUP

SouthwestSolutions.com | 800-803-1083 | info@southwestsolutions.com

Parts Listing

Installation Instructions Alpha Identification	Part Number	Catalog Number (*)	Size	Description	List Price	Weight (pounds)
A	US-XXXX-CA	US-XXXX-CA	Any Depth x Any Height	4-Post Shelving, Closed Angle Upright, Single Face or Double Face.		By Height
A (Not Shown)	US-XXXX-OA	US-XXXX-OA	Any Depth x Any Height	4-Post Shelving, Open Angle Upright, Single Face or Double Face.		By Height
A (Not Shown)	US-XXXX-CT	US-XXXX-CT	Any Depth x Any Height	4-Post Shelving, Closed Tee Upright, Single Face or Double Face.		By Height
A (Not Shown)	US-XXXX-OT	US-XXXX-OT	Any Depth x Any Height	4-Post Shelving, Open Tee Upright, Single Face or Double Face.		By Height
A (Not Shown)	UC-XXXX-CA	US-XXXX-CA	Any Depth x Any Height	Case Type Shelving, Closed Angle Upright, Single Face or Double Face.		By Height
A (Not Shown)	UC-XXXX-CT	UC-XXXX-CT	Any Depth x Any Height	Case Type Shelving, Closed Tee Upright, Single Face or Double Face.		By Height
B	SS-3014-F	SS-3014-F	30" Wide	4-Post Shelving, Shelf Support, 3/4" Profile. "F" Style Must Be Used on Lowest and Upper Most Position.		1.5
B (Not Shown)	SS-3014-FC†	SS-3014-FC†	30" Wide	† Wheelhouse™ lower uses cut ear only.		
B	SS-3614-F	SS-3614-F	36" Wide	4-Post Shelving, Shelf Support, 3/4" Profile. "F" Style Must Be Used on Lowest and Upper Most Position.		1.75
B (Not Shown)	SS-3614-FC†	SS-3614-FC†	36" Wide	† Wheelhouse™ lower uses cut ear only.		
B	SS-4211-F	SS-4211-F	42" Wide	4-Post Shelving, Shelf Support, 3/4" Profile. "F" Style Must Be Used on Lowest and Upper Most Position.		3.25
B (Not Shown)	SS-4214-FC†	SS-4214-FC†	42" Wide	† Wheelhouse™ lower uses cut ear only.		
B	SS-4811-F	SS-4811-F	48" Wide	4-Post Shelving, Shelf Support, 3/4" Profile. "F" Style Must Be Used on Lowest and Upper Most Position.		3.75
B (Not Shown)	SS-4814-FC†	SS-4814-FC†	48" Wide	† Wheelhouse™ lower uses cut ear only.		
B (Not Shown)	SS-3014-H	SS-3014-H	30" Wide	4-Post Shelving, Shelf Support, 1-1/4" Profile. "H" Style Must NOT Be Used on Lowest and Upper Most Position.		1.5
B (Not Shown)	SS-3614-H	SS-3614-H	36" Wide	4-Post Shelving, Shelf Support, 1-1/4" Profile. "H" Style Must NOT Be Used on Lowest and Upper Most Position.		1.75
B (Not Shown)	SS-4214-H	SS-4214-H	42" Wide	4-Post Shelving, Shelf Support, 1-1/4" Profile. "H" Style Must NOT Be Used on Lowest and Upper Most Position.		2.25
B (Not Shown)	SS-4814-H	SS-4814-H	48" Wide	4-Post Shelving, Shelf Support, 1-1/4" Profile. "H" Style Must NOT Be Used on Lowest and Upper Most Position.		2.5
B (Not Shown)	SS-3611-H	SS-3611-H	36" Wide	4-Post Shelving, Shelf Support, 1-1/4" Profile. "H" Style Must NOT Be Used on Lowest and Upper Most Position.		2.75
B (Not Shown)	SS-4211-H	SS-4211-H	42" Wide	4-Post Shelving, Shelf Support, 1-1/4" Profile. "H" Style Must NOT Be Used on Lowest and Upper Most Position.		3.25
B (Not Shown)	SS-4811-H	SS-4811-H	48" Wide	4-Post Shelving, Shelf Support, 1-1/4" Profile. "H" Style Must NOT Be Used on Lowest and Upper Most Position.		3.75
C	SF-30XX-P	SF-30XX-P	30" Wide x ___ Depth	4-Post Shelving, Shelf, Canopy Top, Single Face or Double Face (Plain) (File Type, 22 Gauge) (3/4" High).		By Size
C	SF-36XX-P	SF-36XX-P	36" Wide x ___ Depth	4-Post Shelving, Shelf, Canopy Top, Single Face or Double Face (Plain) (File Type, 22 Gauge) (3/4" High)		By Size
C	SF-42XX-P	SF-42XX-P	42" Wide x ___ Depth	4-Post Shelving, Shelf, Canopy Top, Single Face or Double Face (Plain) (File Type, 22 Gauge) (3/4" High)		By Size
C	SF-48XX-P	SF-48XX-P	48" Wide x ___ Depth	4-Post Shelving, Shelf, Canopy Top, Single Face or Double Face (Plain) (File Type, 22 Gauge) (3/4" High)		By Size
C (Not Shown)	SH-30XX-P	SH-30XX-P	30" Wide x ___ Depth	4-Post Shelving, Shelf, Canopy Top, Single Face or Double Face (Plain) (Heavy Duty Type, 18 Gauge) (3/4" High)		By Size
C (Not Shown)	SH-36XX-P	SH-36XX-P	36" Wide x ___ Depth	4-Post Shelving, Shelf, Canopy Top, Single Face or Double Face (Plain) (Heavy Duty Type, 18 Gauge) (3/4" High)		By Size
C (Not Shown)	SH-42XX-P	SH-42XX-P	42" Wide x ___ Depth	4-Post Shelving, Shelf, Canopy Top, Single Face or Double Face (Plain) (Heavy Duty Type, 18 Gauge) (3/4" High)		By Size
C (Not Shown)	SH-48XX-P	SH-48XX-P	48" Wide x ___ Depth	4-Post Shelving, Shelf, Canopy Top, Single Face or Double Face (Plain) (Heavy Duty Type, 18 Gauge) (3/4" High)		By Size

* Catalog Number is for reference only and may not include all parts as described in price list.
When ordering, parts must be identified by individual part numbers.

† Catalog Number SS-XXXX-FC are cut off ear shelf support used on lower door only Wheelhouse™ applications.



Parts Listing

Installation Instructions Alpha Identification	Part Number	Catalog Number (*)	Size	Description	List Price	Weight (pounds)
D	370129.001	370129.001	30" Wide	4-Post Front Base (SPECIAL) 2" High †		1.0
D	370129.002	370129.002	36" Wide	4-Post Front Base (SPECIAL) 2" High †		1.25
D	370129.003	370129.003	42" Wide	4-Post Front Base (SPECIAL) 2" High †		1.5
D	370129.004	370129.004	48" Wide	4-Post Front Base (SPECIAL) 2" High †		1.75
E	400955.002	400955.002	30" Wide	Lower Lock/Stop Bracket (Standard Version)		3.0
E	400953.002	400953.002	36" Wide	Lower Lock/Stop Bracket (Standard Version)		3.75
E	400950.002	400950.002	42" Wide	Lower Lock/Stop Bracket (Standard Version)		4.5
E	400939.002	400939.002	48" Wide	Lower Lock/Stop Bracket (Standard Version)		4.75
E 1	400961.002	400961.002	30" Wide	Lower Lock/Stop Bracket (Extended Version)		3.75
E 1	400959.002	400959.002	36" Wide	Lower Lock/Stop Bracket (Extended Version)		4.5
E 1	400957.002	400957.002	42" Wide	Lower Lock/Stop Bracket (Extended Version)		5.25
E 1	400941.002	400941.002	48" Wide	Lower Lock/Stop Bracket (Extended Version)		6.0
F	400955.001	400955.002	30" Wide	Upper Lock/Stop Bracket (Standard Version)		3.0
F	400953.001	400953.001	36" Wide	Upper Lock/Stop Bracket (Standard Version)		3.75
F	400950.001	400950.001	42" Wide	Upper Lock/Stop Bracket (Standard Version)		4.5
F	400939.001	400939.001	48" Wide	Upper Lock/Stop Bracket (Standard Version)		4.75
F 1	400961.001	400961.001	30" Wide	Upper Lock/Stop Bracket (Extended Version)		3.75
F 1	400959.001	400959.001	36" Wide	Upper Lock/Stop Bracket (Extended Version)		4.5
F 1	400957.001	400957.001	42" Wide	Upper Lock/Stop Bracket (Extended Version)		5.25
F 1	400941.001	400941.001	48" Wide	Upper Lock/Stop Bracket (Extended Version)		6.0
G	SR-xx-F	SR-xx-F	Shelf Depth	4-Post Shelving, Shelf Reinforcement ("F" Style)		By Size
G (Not Shown)	SR-xx-H	SR-xx-H	Shelf Depth	4-Post Shelving, Shelf Reinforcement ("H" Style, Heavy Duty) Not To Be Used on Lowest or Upper Most Position		By Size
H	SF-30XX-P	SF-30XX-P	30" Wide x __ Depth	4-Post Shelving, Adjustable Shelf, Single Face or Double Face (Plain) (File Type, 22 Gauge) (3/4" High)		By Size
H	SF-36XX-P	SF-36XX-P	36" Wide x __ Depth	4-Post Shelving, Adjustable Shelf, Single Face or Double Face (Plain) (File Type, 22 Gauge) (3/4" High)		By Size
H	SF-42XX-P	SF-42XX-P	42" Wide x __ Depth	4-Post Shelving, Adjustable Shelf, Single Face or Double Face (Plain) (File Type, 22 Gauge) (3/4" High)		By Size
H	SF-48XX-P	SF-48XX-P	48" Wide x __ Depth	4-Post Shelving, Adjustable Shelf, Single Face or Double Face (Plain) (File Type, 22 Gauge) (3/4" High)		By Size
H (Not Shown)	SH-30XX-P	SH-30XX-P	30" Wide x __ Depth	4-Post Shelving, Adjustable Shelf, Single Face or Double Face (Plain) (Heavy Duty Type, 18 Gauge) (3/4" High)		By Size
H (Not Shown)	SH-36XX-P	SH-36XX-P	36" Wide x __ Depth	4-Post Shelving, Adjustable Shelf, Single Face or Double Face (Plain) (Heavy Duty Type, 18 Gauge) (3/4" High)		By Size
H (Not Shown)	SH-42XX-P	SH-42XX-P	42" Wide x __ Depth	4-Post Shelving, Adjustable Shelf, Single Face or Double Face (Plain) (Heavy Duty Type, 18 Gauge) (3/4" High)		By Size
H (Not Shown)	SH-48XX-P	SH-48XX-P	48" Wide x __ Depth	4-Post Shelving, Adjustable Shelf, Single Face or Double Face (Plain) (Heavy Duty Type, 18 Gauge) (3/4" High)		By Size
H (Not Shown)	SF-30XX-S	SF-30XX-S	30" Wide x __ Depth	4-Post Shelving, Adjustable Shelf, Single Face or Double Face (Slotted) (File Type, 22 Gauge) (3/4" High)		By Size
H (Not Shown)	SF-36XX-S	SF-36XX-S	36" Wide x __ Depth	4-Post Shelving, Adjustable Shelf, Single Face or Double Face (Slotted) (File Type, 22 Gauge) (3/4" High)		By Size
H (Not Shown)	SF-42XX-S	SF-42XX-S	42" Wide x __ Depth	4-Post Shelving, Adjustable Shelf, Single Face or Double Face (Slotted) (File Type, 22 Gauge) (3/4" High)		By Size
H (Not Shown)	SF-48XX-S	SF-48XX-S	48" Wide x __ Depth	4-Post Shelving, Adjustable Shelf, Single Face or Double Face (Slotted) (File Type, 22 Gauge) (3/4" High)		By Size

* Catalog Number is for reference only and may not include all parts as described in price list.
When ordering, parts must be identified by individual part numbers.

† Base not required on Wheelhouse™

Parts Listing

Installation Instructions Alpha Identification	Part Number	Catalog Number (*)	Size	Description	List Price	Weight (pounds)
H (Not Shown)	SH-30XX-S	SH-30XX-S	30" Wide x __ Depth	4-Post Shelving, Adjustable Shelf, Single Face or Double Face (Slotted) (Heavy Duty Type, 18 Gauge) (3/4" High)		By Size
H (Not Shown)	SH-36XX-S	SH-36XX-S	36" Wide x __ Depth	4-Post Shelving, Adjustable Shelf, Single Face or Double Face (Slotted) (Heavy Duty Type, 18 Gauge) (3/4" High)		By Size
H (Not Shown)	SH-42XX-S	SH-42XX-S	42" Wide x __ Depth	4-Post Shelving, Adjustable Shelf, Single Face or Double Face (Slotted) (Heavy Duty Type, 18 Gauge) (3/4" High)		By Size
H (Not Shown)	SH-48XX-S	SH-48XX-S	48" Wide x __ Depth	4-Post Shelving, Adjustable Shelf, Single Face or Double Face (Slotted) (Heavy Duty Type, 18 Gauge) (3/4" High)		By Size
I	401133.001	401133.001	All Same	Mounting Bracket, Standard Door (Standard Door Universal)		0.5
I 2	401134.001	401134.001	All Same	Mounting Bracket, Extended Door (Extended Door Universal)		0.75
J	N/A	N/A	N/A	Hinge Pin Attached to Door. For Reference Only.	N/A	N/A
K	570016.043	570016.043	30" x 76" †	Left Door Panel (15" x 76") (Standard or Extended Door)		18.5
K	570015.043	570015.043	30" x 76" †	Right Door Panel (15" x 76") (Standard or Extended Door)		19.0
K	570016.049	570016.049	30" x 85" †	Left Door Panel (15" x 85") (Standard or Extended Door)		21.0
K	570015.049	570015.049	30" x 85" †	Right Door Panel (15" x 85") (Standard or Extended Door)		21.5
K	570016.051	570016.051	30" x 88" †	Left Door Panel (15" x 88") (Standard or Extended Door)		21.5
K	570016.051	570016.051	30" x 88" †	Right Door Panel (15" x 88") (Standard or Extended Door)		22.0
K	570018.043	570018.043	36" x 76" †	Left Door Panel (18" x 76") (Standard or Extended Door)		21.0
K	570017.043	570017.043	36" x 76" †	Right Door Panel (18" x 76") (Standard or Extended Door)		21.5
K	570018.049	570018.049	36" x 85" †	Left Door Panel (18" x 85") (Standard or Extended Door)		23.5
K	570017.049	570017.049	36" x 85" †	Right Door Panel (18" x 85") (Standard or Extended Door)		24.0
K	570018.051	570018.051	36" x 88" †	Left Door Panel (18" x 88") (Standard or Extended Door)		24.0
K	570017.051	570017.051	36" x 88" †	Right Door Panel (18" x 88") (Standard or Extended Door)		25.0
K	570020.043	570020.043	42" x 76" †	Left Door Panel (21" x 76") (Standard or Extended Door)		23.0
K	570019.043	570019.043	42" x 76" †	Right Door Panel (21" x 76") (Standard or Extended Door)		24.0
K	570020.049	570020.049	42" x 85" †	Left Door Panel (21" x 85") (Standard or Extended Door)		26.0
K	570019.049	570019.049	42" x 85" †	Right Door Panel (21" x 85") (Standard or Extended Door)		26.5
K	570020.051	570020.051	42" x 88" †	Left Door Panel (21" x 88") (Standard or Extended Door)		27.0
K	570019.051	570019.051	42" x 88" †	Right Door Panel (21" x 88") (Standard or Extended Door)		27.5
K	570022.043	570022.043	48" x 76" †	Left Door Panel (24" x 76") (Standard or Extended Door)		25.5
K	570021.043	570021.043	48" x 76" †	Right Door Panel (24" x 76") (Standard or Extended Door)		26.0
K	570022.049	570022.049	48" x 85" †	Left Door Panel (24" x 85") (Standard or Extended Door)		5.5
K	570021.049	570021.049	48" x 85" †	Right Door Panel (24" x 85") (Standard or Extended Door)		29.0
K	570022.051	570022.051	48" x 88" †	Left Door Panel (24" x 88") (Standard or Extended Door)		5.5
K	570021.051	570021.051	48" x 88" †	Right Door Panel (24" x 88") (Standard or Extended Door)		30.0
Note: Right Door Panel ONLY Equipped With Pull Handle, Lock Rod Assembly, and Key Plug.						
L	340264.001	340264.001	76" High Door	Extended Door Side Filler (Left or Right Side)		1.5
L	340264.002	340264.002	85" High Door	Extended Door Side Filler (Left or Right Side)		1.75
L	340264.003	340264.003	88" High Door	Extended Door Side Filler (Left or Right Side)		2.0
M	70067.02	70067.02	All Same	Canoe Clip For Extended Door Side Filler Attachment		0.05
N	KSCRK	KSCRK	All Same	Lock Plug Removal Key (Optional)		0.05

* Catalog Number is for reference only and may not include all parts as described in price list. When ordering, parts must be identified by individual part numbers.

† Wheelhouse™ uses a door height that is 1-1/2" shorter than the Wheelhouse™ upright.
Note: Extended Doors are Not Applicable to Wheelhouse™ carriages.

Parts Listing

Installation Instructions Alpha Identification	Part Number	Catalog Number (*)	Size	Description	List Price	Weight (pounds)
O	550323.001 Plug assembly	550323.001 Plug assembly	Specify Number	Lock Plug (Core) (Match Number to Lock Key Number Located on Each Key)		0.05
P (Not Shown)	20550KP	KSMK	All Same	Master Key (For All Lock Numbers) (Optional)		0.05
Q (Not Shown)	Specify Number	Specify Number	All Locks	Standard Lock Key (Must Specify Key Number to Order) (Match Number to Lock Plug Number Located on Lock Plug Face.)		0.05
R	41008.02	41008.02	All Same	Regular Snap Bushing. (Lock Rod Glide.) (Upper or Lower Position) (Two Per Locking Door Panel Provided)		0.05
S	570009.001	570009.001	76"	Lock Rod Assembly, Door (Right Door Panel Only)		1.0
S	570009.002	570009.002	85"	Lock Rod Assembly, Door (Right Door Panel Only)		1.25
S	570009.003	570009.003	88"	Lock Rod Assembly, Door (Right Door Panel Only)		1.5
T	550288.001	550288.001	All Same	Magnetic Catch, All Doors, Upper or Lower Position (Two Per Door Panel Provided)		0.25
U	990038.001	990038.001	All Same	Set Screw, Cup Point, Upper and Lower Lock/Stop Bracket Attachment Screw. (1/4"-20 x 5/8") (See Installation Manual For Required Quantity Per Bracket)		0.05

* Catalog Number is for reference only and may not include all parts as described in price list.
When ordering, parts must be identified by individual part numbers.



Safety and Pre-Installation

⚠ Warning

Wear eye protection and other applicable safety equipment while assembling your shelving system. Know how to safely operate the required power tools before starting this project.

⚠ Caution

To ensure safe and easy installation, be prepared to have an additional person on-hand to assist with certain installation steps and lifting operations.

Before you begin installation:

1. Read through the installation procedure before starting the project.
2. Understand all safety statements.
3. Make sure your shelving system will fit within the desired location.
4. Plan to assemble the shelving system where it will be used. Once fully assembled, the unit may be difficult to move.
5. Have the necessary tools for assembling and leveling the unit.

Required tools include:

- Power Screwdriver or Portable Hand Drill
- Phillips Driver Bit
- Leveling Device
- Utility Knife
- Dead Blow Hammer
- Slotted Screwdriver (assorted sizes)
- Phillips Screwdriver (assorted sizes)
- Measuring Rule or Tape

⚠ Important

ALWAYS load shelving from the bottom up and evenly from both sides on a double faced unit.

⚠ Important

If you are planning to install “Hinged Doors” with “Modular Doors and Drawers”. Please consult the factory for installation guidelines.



SOUTHWEST**SOLUTIONS**GROUP

SouthwestSolutions.com | 800-803-1083 | info@southwestsolutions.com

Safety and Pre-Installation

⚠ Important

*Hinged Doors can be assembled with 4-post shelving or Case type shelving using closed or open uprights. **Hinged Doors are not compatible with Cantilever type shelving.** “F” style shelf supports must be used on the upper and lower front locations for hinged doors to attach properly. This manual covers installations on static shelving only.*

NOTE: The following base shelving unit installation steps are presented as a reference guide. For complete four-post shelving assembly instructions, refer to the 4-Post Shelving Installation Manual.

NOTE: Assemble the unit from the bottom up. Use two people to ease assembly.

1. Hold closed uprights **(A)** in place and temporarily insert a shelf support **(B)** near the midpoint of the back posts to space the uprights.
2. Place the bottom rear shelf support in place with the rivet tabs pointed down. Insert the support rivets in the lowest full keyhole slots.

⚠ Important

Interior surface of upright posts must be flush with interior key slot for proper fit of all hinged door components.

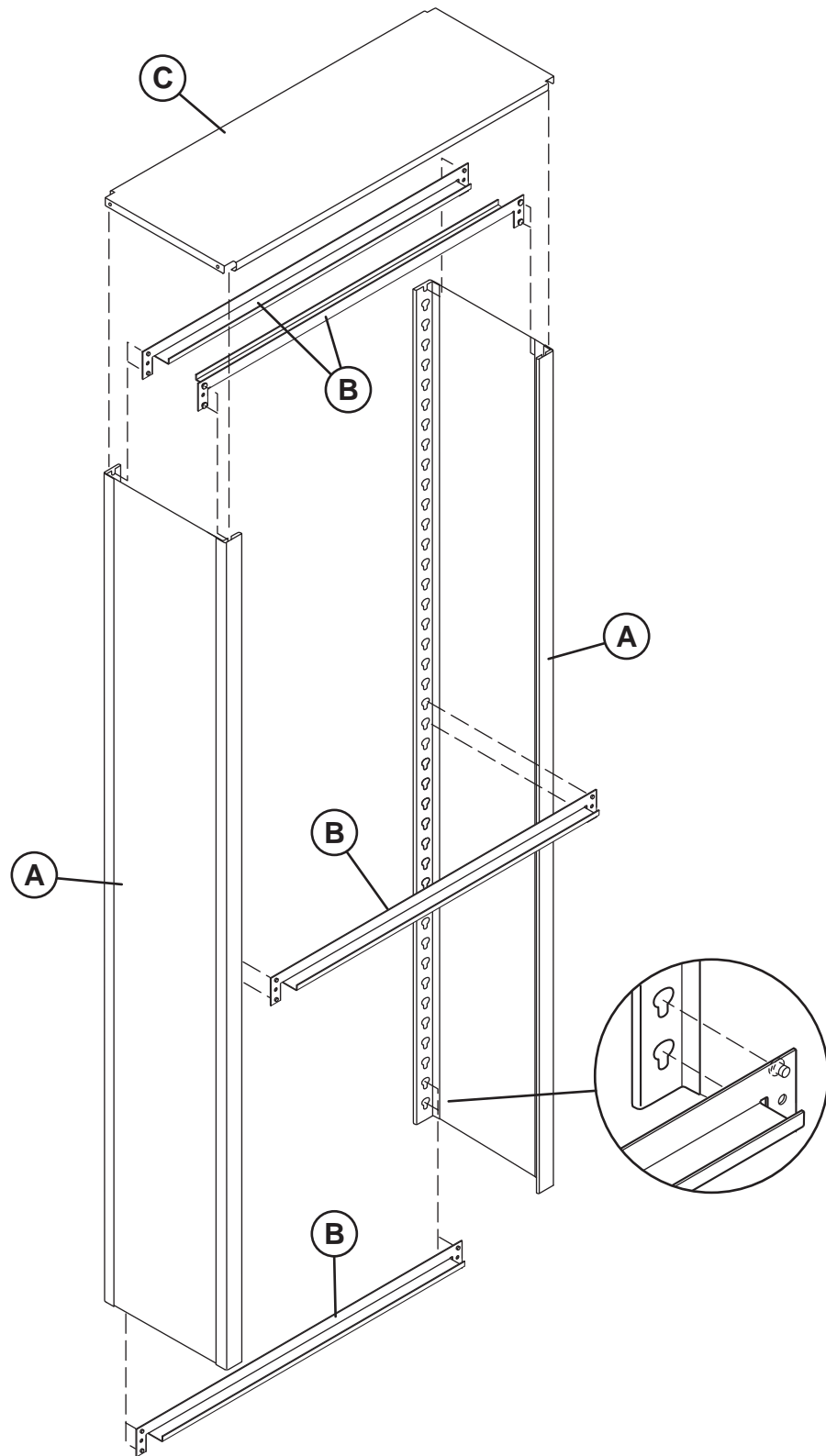
⚠ Caution

Shelf supports MUST be driven securely into place. A dead blow hammer should be used to keep from damaging the finish.

3. Use a dead blow hammer to drive the shelf support in place.
4. Insert shelf supports at the top of the unit and drive them into place with a dead blow hammer.
5. Move the unit to the final destination and begin installation of Hinged Doors.
6. Place the canopy/shelf **(C)** on top of the unit when Hinged Door installation is complete.



Safety and Pre-Installation



SOUTHWESTSOLUTIONSGROUP

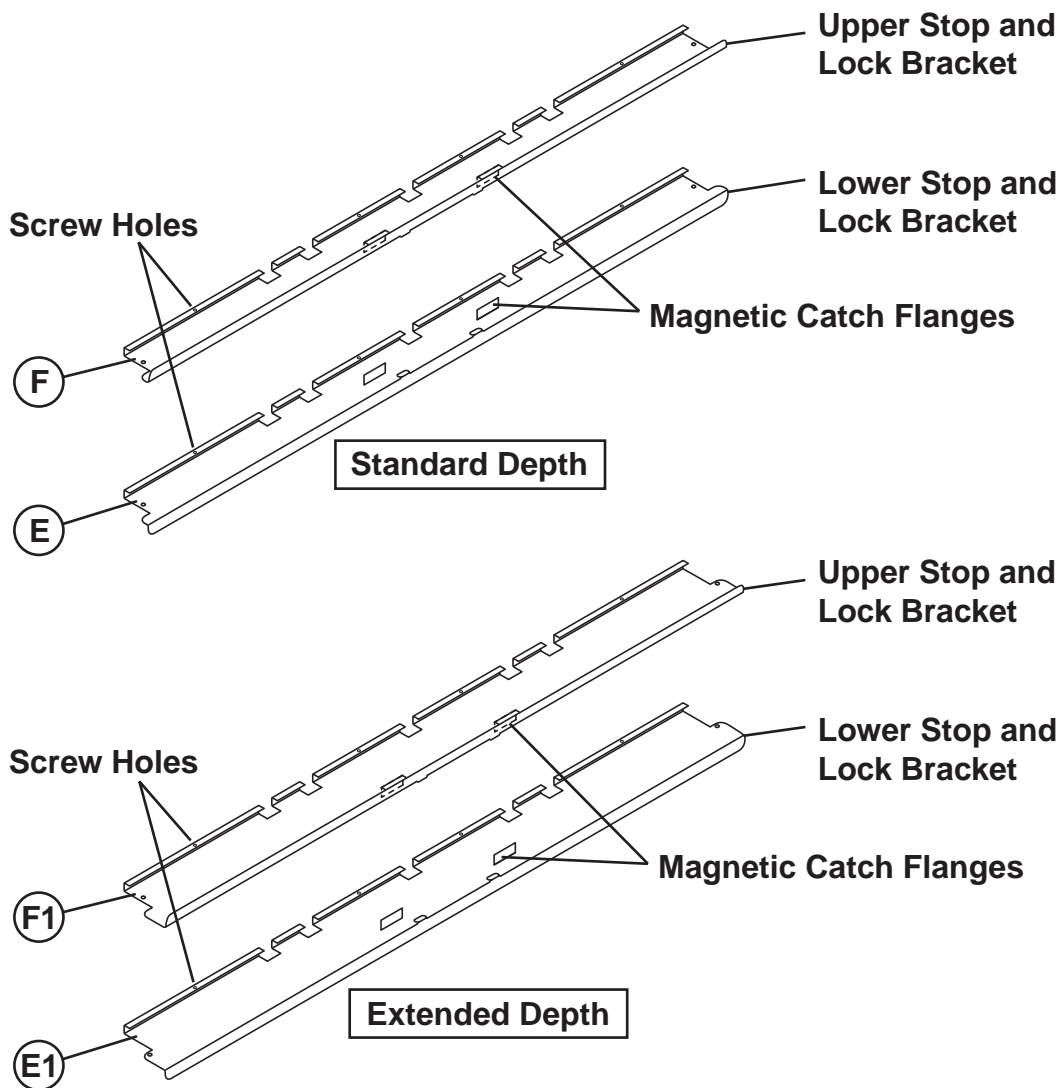
SouthwestSolutions.com | 800-803-1083 | info@southwestsolutions.com

Installation on a New Shelving Unit

⚠ Important

There are two types of Hinged Door installation kits; standard depth and extended depth. Installation of the two kits is the same except where noted in the instructions. Installation is also the same for single face and double face units, so only single face installation is illustrated.

NOTE: Assembly of Hinged Doors requires one upper and one lower stop and lock bracket. These are available in standard and extended depth. The upper stop and lock bracket (**F, F1**) should be positioned with the magnet catch flanges facing down and screw holes at the top. The lower stop and lock bracket (**E, E1**) should be positioned with the magnet catch flanges facing up and the screw holes at the top.

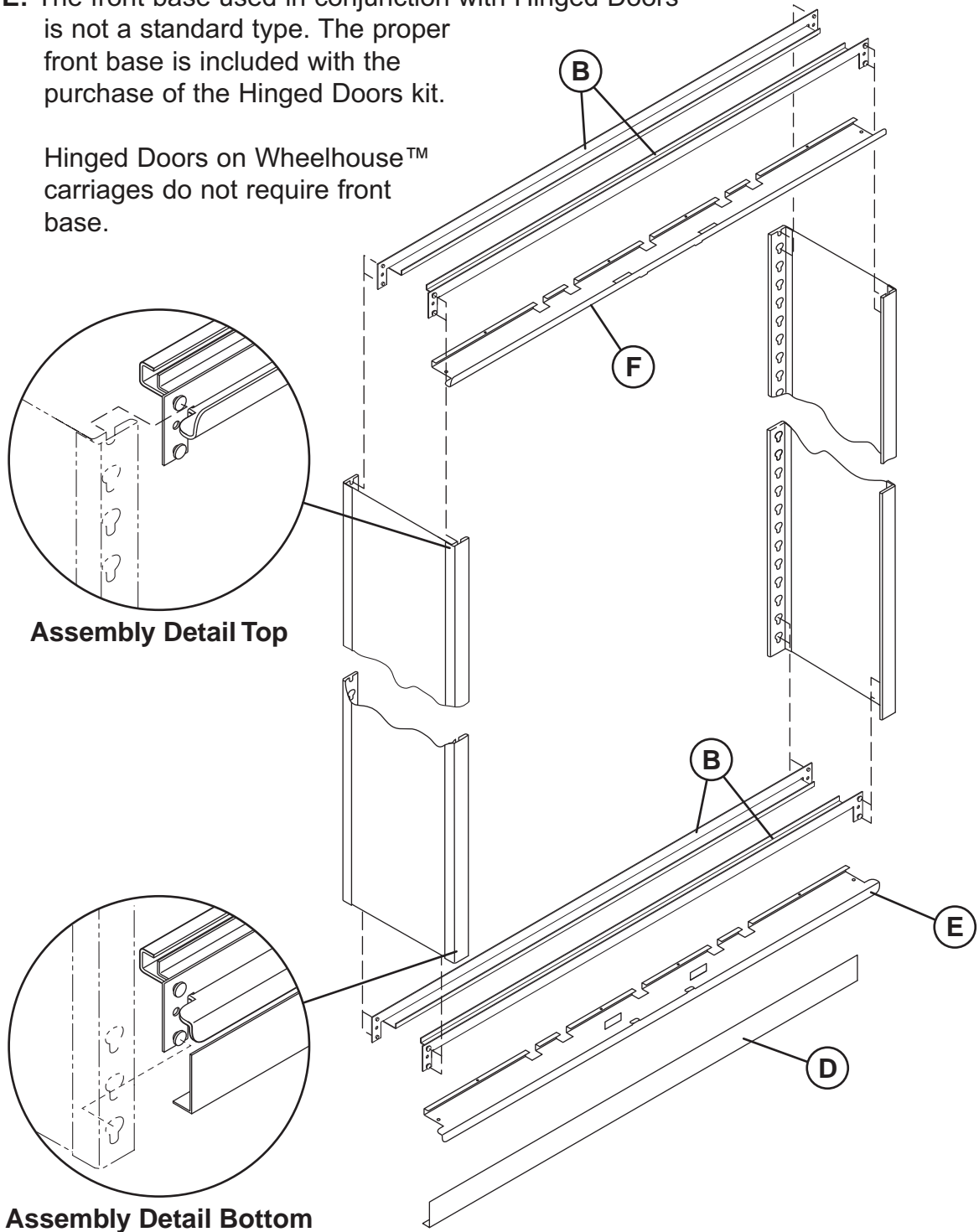


Installation

1. Insert the provided front base (**D**) behind the upright front posts.
2. Loosely assemble lower stop and lock bracket (**E**) to lowest front shelf support (**B**).
3. Insert stop and lock bracket/shelf support assembly into the lowest keyhole slots in the front uprights. Drive the shelf support in place with a dead blow hammer. The shelf support retains the front base.

NOTE: The front base used in conjunction with Hinged Doors is not a standard type. The proper front base is included with the purchase of the Hinged Doors kit.

Hinged Doors on Wheelhouse™ carriages do not require front base.



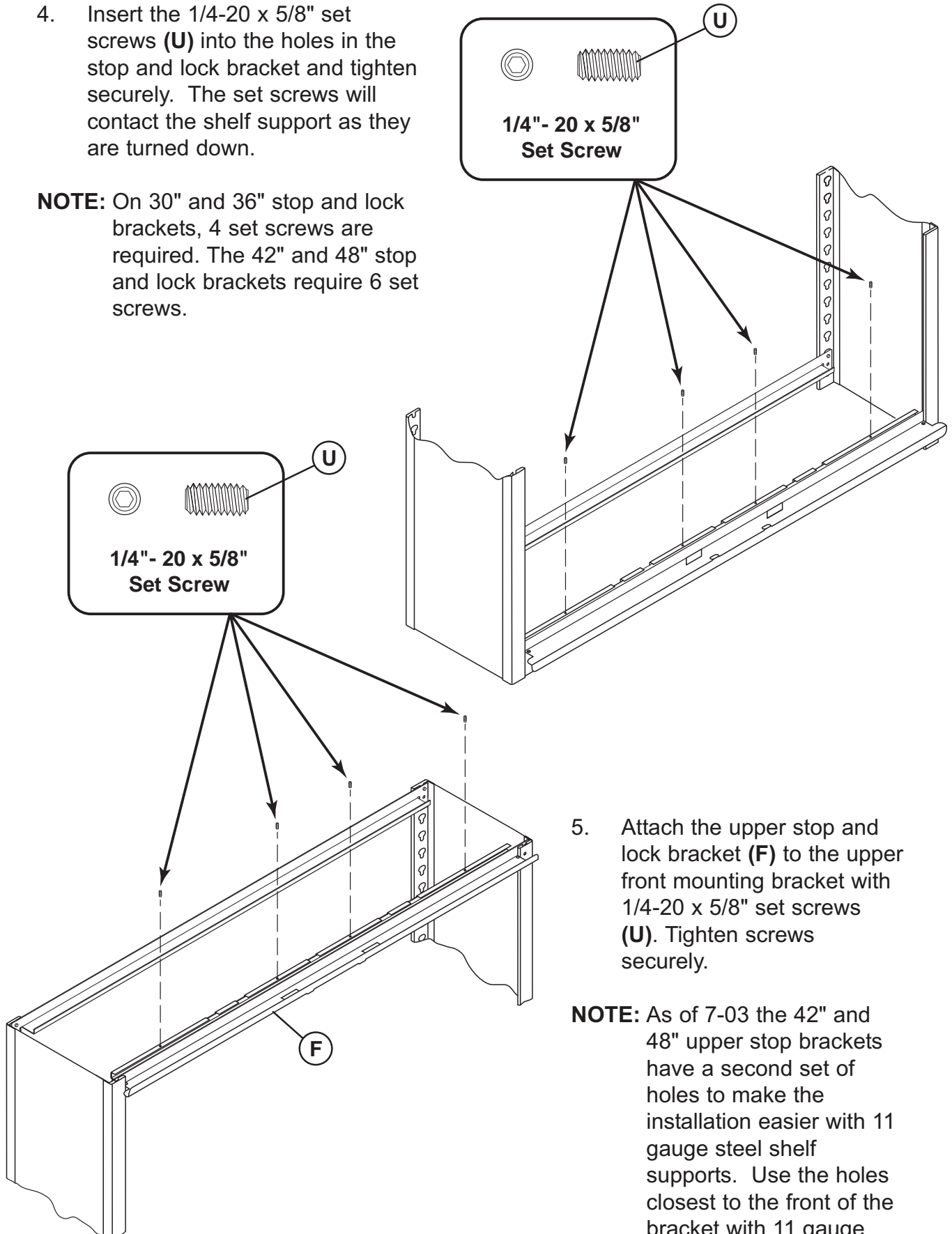
SOUTHWEST SOLUTIONS GROUP

SouthwestSolutions.com | 800-803-1083 | info@southwestsolutions.com

Installation

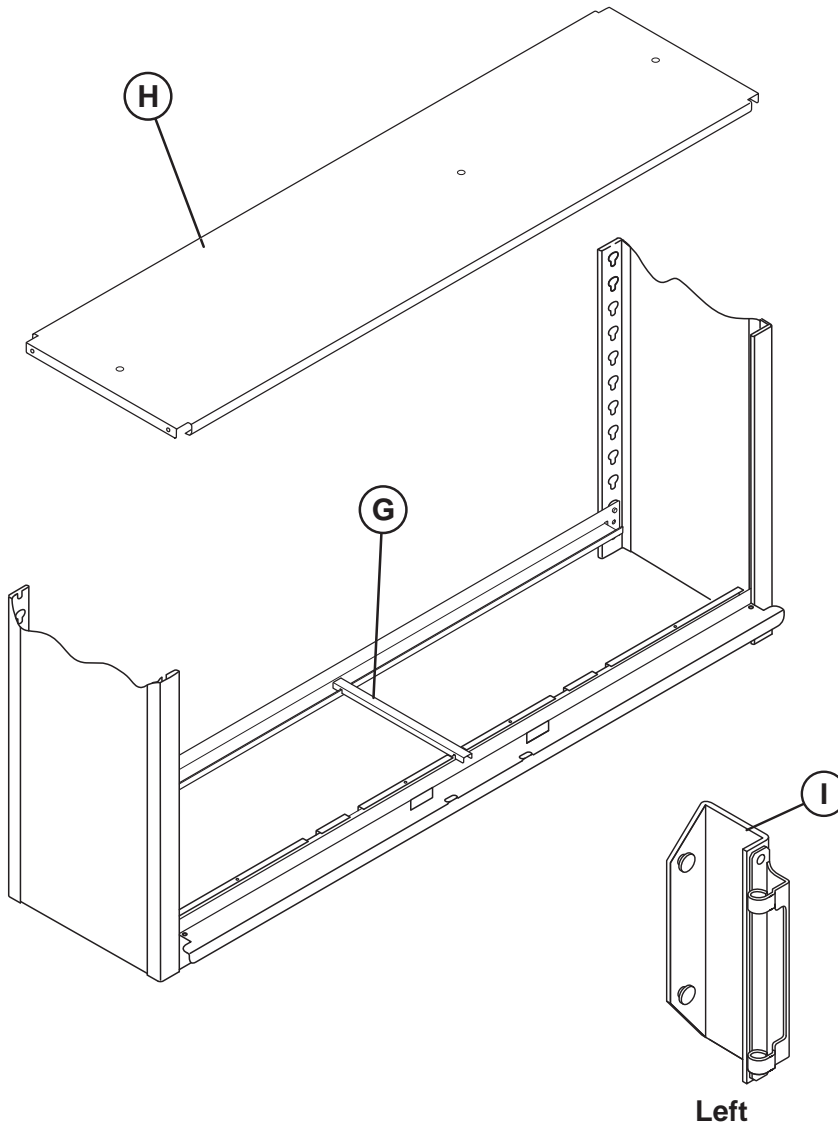
4. Insert the 1/4-20 x 5/8" set screws (**U**) into the holes in the stop and lock bracket and tighten securely. The set screws will contact the shelf support as they are turned down.

NOTE: On 30" and 36" stop and lock brackets, 4 set screws are required. The 42" and 48" stop and lock brackets require 6 set screws.



5. Attach the upper stop and lock bracket (**F**) to the upper front mounting bracket with 1/4-20 x 5/8" set screws (**U**). Tighten screws securely.

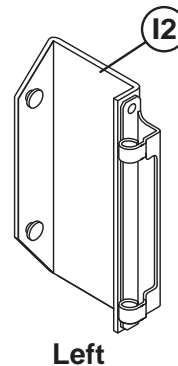
NOTE: As of 7-03 the 42" and 48" upper stop brackets have a second set of holes to make the installation easier with 11 gauge steel shelf supports. Use the holes closest to the front of the bracket with 11 gauge supports.



6. Insert lower shelf reinforcement (G), if required, and lower shelf (H) at this time.

7. Identify two left (I or I2) and two right (I1 or I3) door mounting brackets. The brackets are oriented properly when the hinge ears are facing to the outside of the shelving unit. The door mounting brackets are available in either standard or extended depth.

Standard Universal Door Mounting Brackets

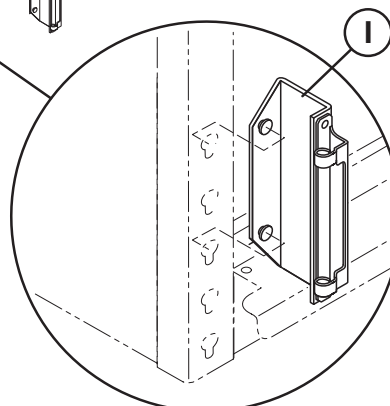
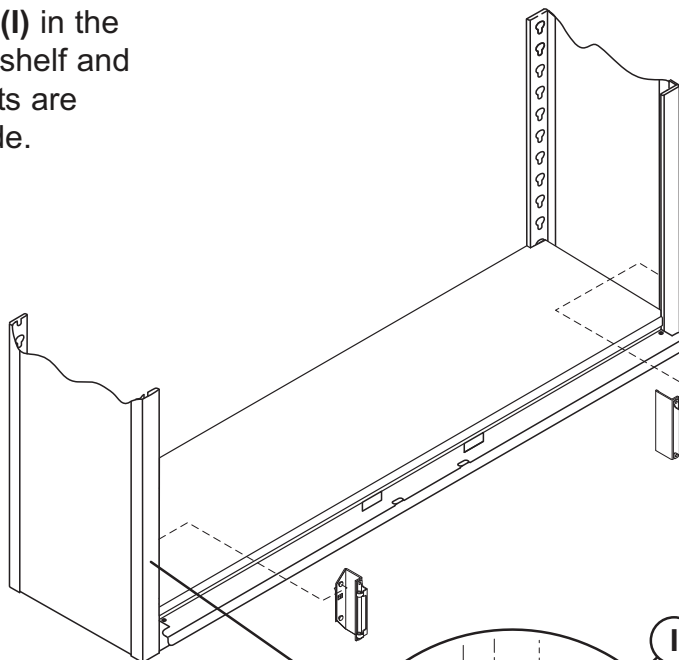


Extended Universal Door Mounting Brackets

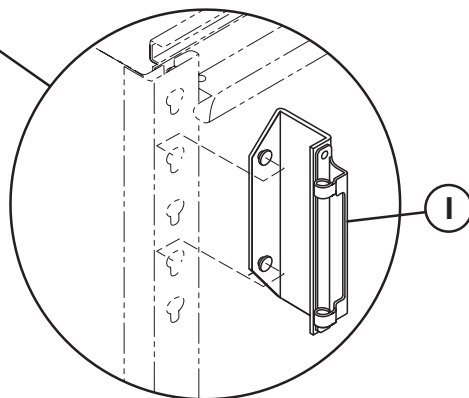
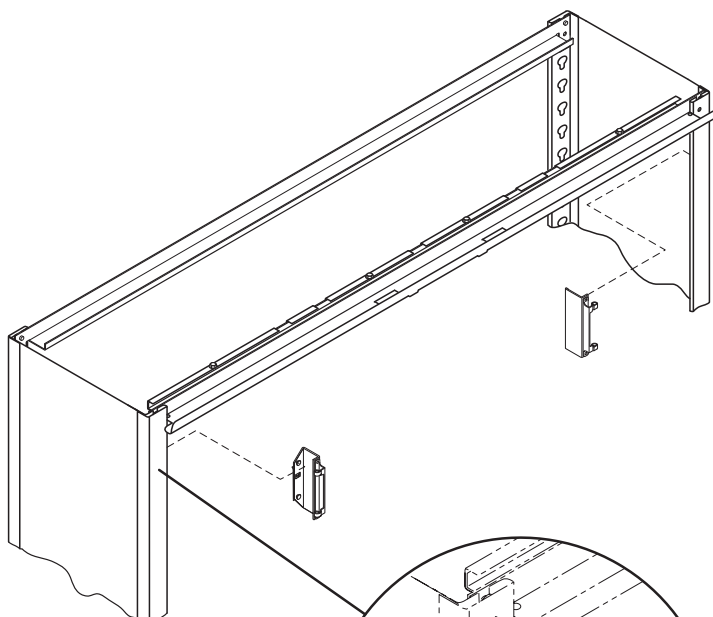


Installation

8. Place a door mounting bracket **(I)** in the lowest keyhole slots above the shelf and gently tap in place until the rivets are seated. Repeat for the other side.



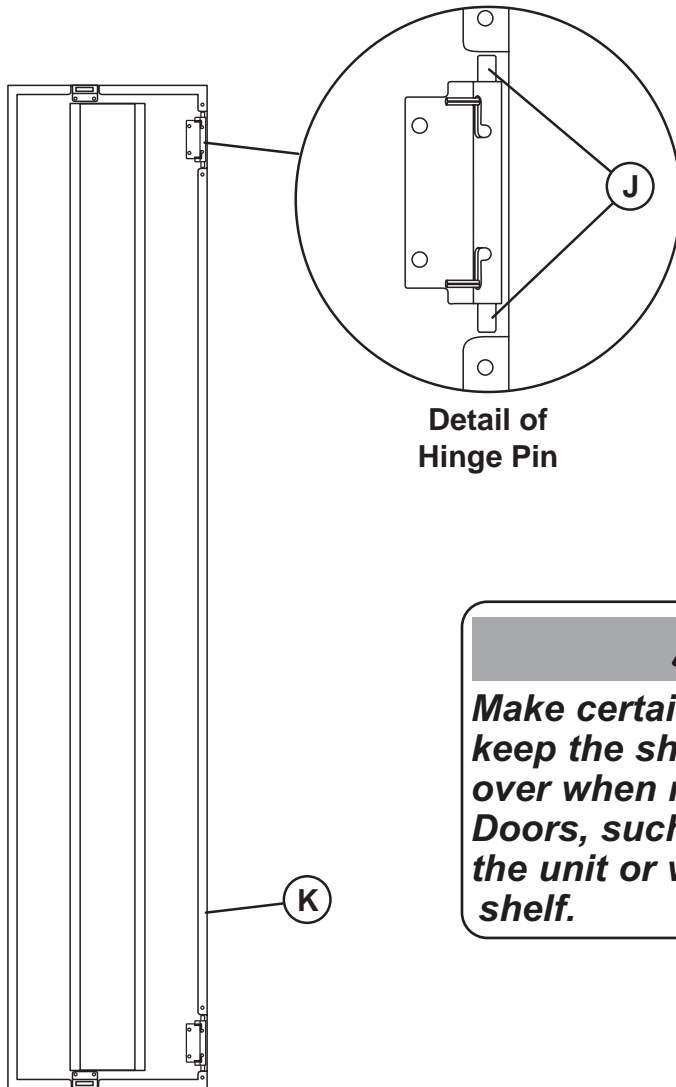
**Assembly
Detail Bottom**



**Assembly
Detail Top**

9. Place a door mounting bracket **(I)** in the first keyhole slot below the upper front shelf support and gently tap in place until the rivets are seated. Repeat for the other side.





NOTE: Doors are supplied as a right and left pair. For identification purposes, the right hand door contains the door lock. Installation of the doors is best accomplished by two people.

10. Locate the hinge (J) on door (K). Make sure the hinge pins are retracted into the hinge.

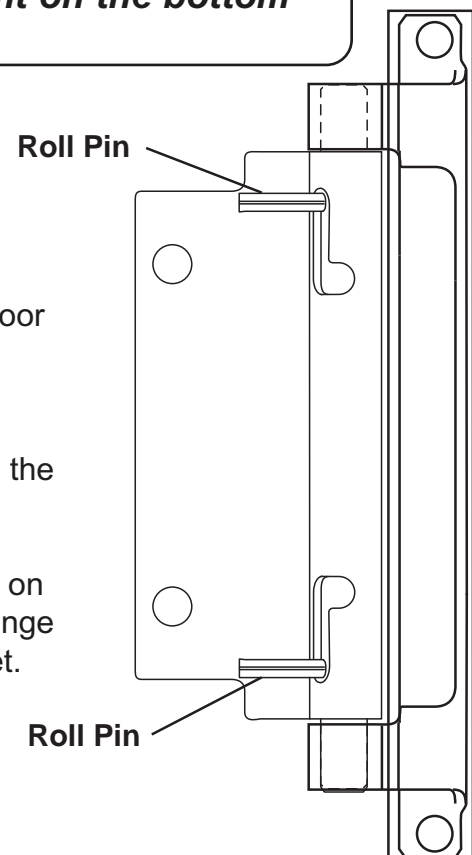
⚠ Caution
Make certain that care is taken to keep the shelving unit from tipping over when mounting Hinged Doors, such as, a person to steady the unit or weight on the bottom shelf.

11. Insert the door hinges into the ears on the door mounting brackets.

NOTE: If the door is held in an open position at slightly more than 90°, it is easier to mate the hinge to the door mounting bracket.

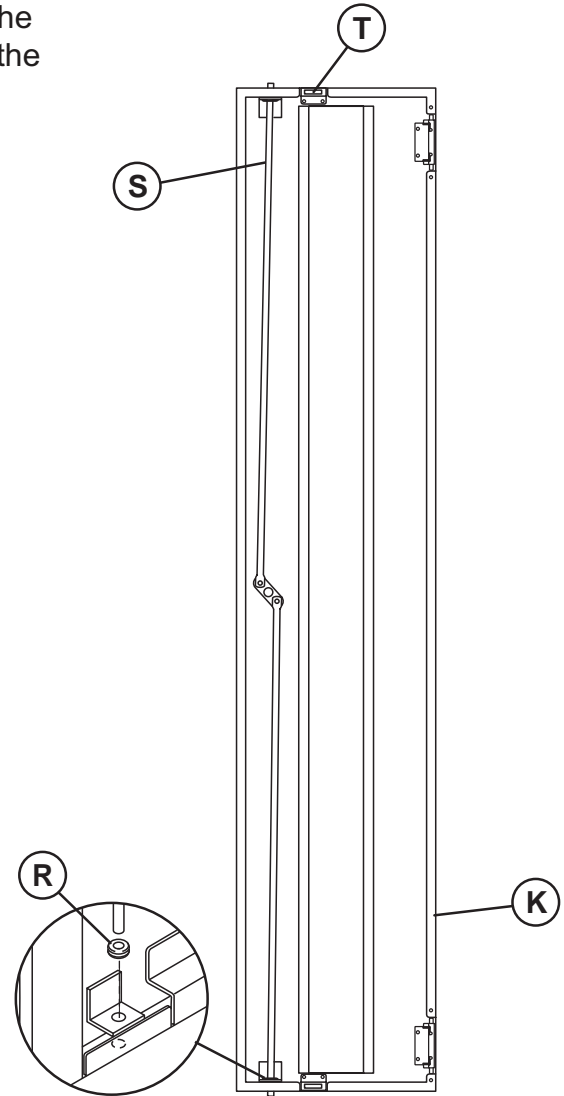
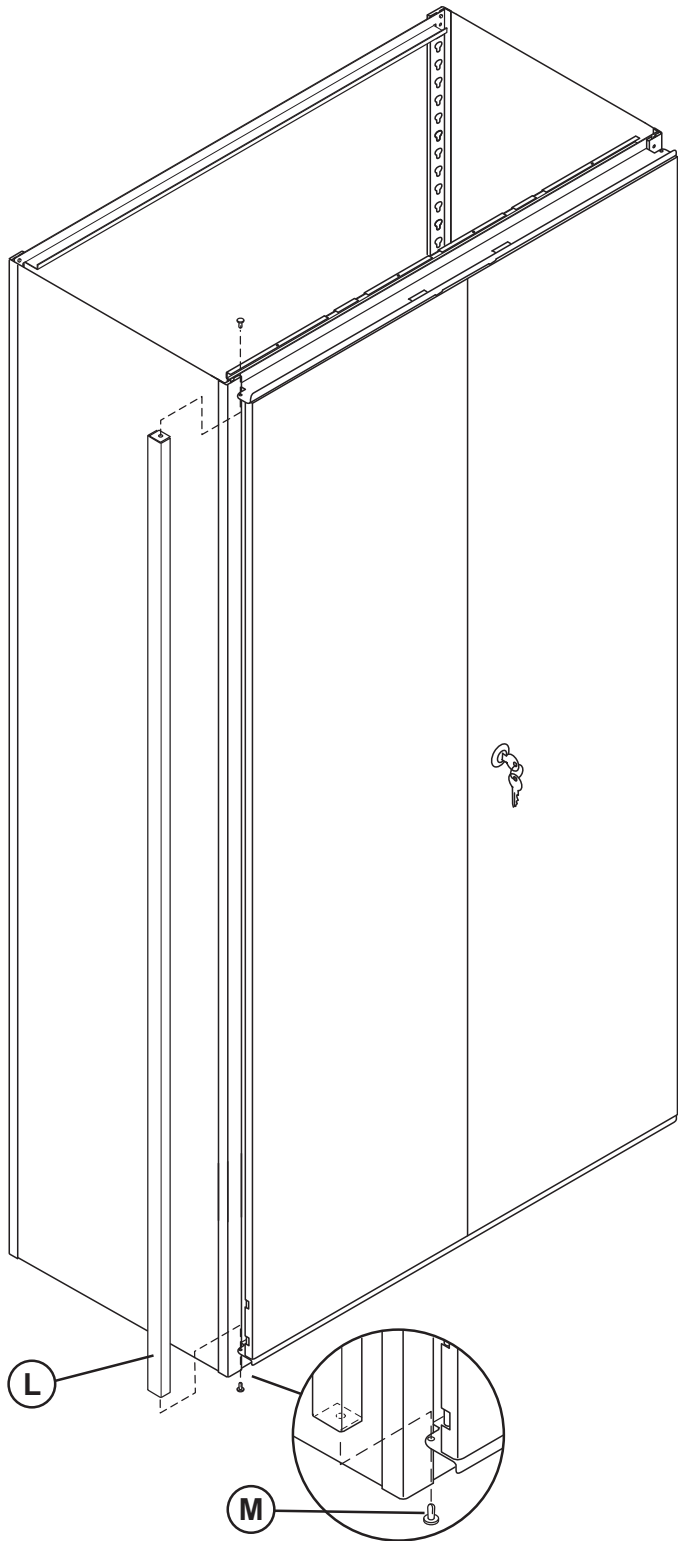
12. Secure the hinge in place by pulling forward on the roll pin and allowing the spring loaded hinge pins to “snap” into the door mounting bracket. Do this for both the top and bottom hinge.

13. Repeat steps 10-12 for the remaining door.



Installation

14. Place a slight amount of silicone lubricant on the grommet (R) located at the top and bottom of the lock rod assembly (S) (right hand door only).



Doors with Extended Mounting Brackets Only

Insert the filler channel (L) in place and secure at the top and bottom with "canoe" type plugs (M).



SOUTHWESTSOLUTIONSGROUP

SouthwestSolutions.com | 800-803-1083 | info@southwestsolutions.com

Installation on an Existing Shelving Unit

1. Remove all material from the canopy shelf at the top and remove the canopy.
2. Remove all material from the bottom shelf.
3. Follow the above steps 7-14.

Lock Plug Removal and Installation

NOTE: Lock plug removal and installation requires the use of a optional Lock Plug Removal Key (**N**). (Must be ordered separately.)

1. Insert lock plug removal key into the lock and turn it to the right as far as it will turn.
2. Carefully remove the lock core (**O**) from the lock plug.
3. Installation is opposite of removal.

NOTE: If the key turns more than 90°, replace core and cylinder.

