

AUTOLOCKER® FX



A Truly Modular Locker System That Can Be Configured or Reconfigured On-The-Fly

The AutoLocker® FX is the first and only locker system on the market designed to be completely modular in every way. This platform lets you build a custom configured locker system for the unique needs of your company.

The rack mounted approach allows you to configure exactly what you need and purchase only what you need. No need to purchase excess lockers and use up valuable floor space.

You decide the frame size, locker size, power (Optional), and network switch (Optional). Locker modules are available in 22 different sizes for you to choose from. Locker modules come in 3" (8cm) high increments with a standard 24" (60cm) depth and a wide variety of widths available that can be mixed and matched to provide a customized solution.

See-through windows with bright LED lighting allow the user to quickly identify the items they want and then issue it through an intuitive touch-screen user interface. Multistate LED status lights quickly identify which items are out on the floor as well as the status of the items that are inside the lockers.

The AutoLocker® FX also provides for optional 110VAC power outlets so that battery operated tools and equipment can be charged while in the locker. Further, the system will manage the charge time and always dispense the item with the longest charge. E-Tools (laptops and iPads) can also be charged while managing virus definitions and operating system updates.



FEATURES

- Stand-Alone or Add-On a RoboCrib®
- High-resolution 19" (48cm) touch display
- Small locker footprint
- Large see-through windows provide maximum visibility
- LED lighting clearly illuminates the product inside
- Informative status lights on each locker door or drawer
- Motor driven latches reduce jamming and maintenance issues
- Lockers can be numbered per the customer's requirement
- Easily reconfigured by changing door sizes and dividers
- Special locker drawers available for laptops, tablets and eTools
- Ability to issue only items that are fully charged or with the most remaining battery life first
- Can be configured with or without standard lockers
- Optional: 110v Power for keeping batteries and items fully charged
- Optional: Individual cooling fans and filtration systems to keep e-tools clean and cool
- Optional: Managed switch systems to push updates and virus definitions to laptops, equipment, and e-tools
- Optional: Caster wheels make it easy to relocate lockers where you want them
- Power: 100-240VAC- 50/60HZ, 2A/1.0A MAX

Part Number	Optional: Power/ LAN	Door Dimensions	Useable Capacity	Number of Doors	Required Rack Space
714-101	Yes	1 drawer 24"W (61cm) x 3"H (7cm)	17"W (43cm) x 1.75"H (4cm) x 17.5"D (44cm)	1	1
714-102	Yes	1 drawer 24"W (61cm) x 6"H (15cm)	17"W (43cm) x 4.75"H (12cm) x 17.5"D (44cm)	1	2
714-103	Yes	2 drawer 12"W (30cm) x 3"H (7cm)	7.5"W (19cm) x 1.75"H (4cm) x 17.5"D (44cm)	2	1
714-104	Yes	1 drawer 24"W (61cm) x 4.5"H (11cm)	17"W (43cm) x 3.5"H (9cm) x 17.5"D (44cm)	1	1.5
714-201	Yes	4 door 6"W (15cm) x 6"H (15cm)	3.75"W (9.5cm) x 5"H (13cm) x 23.5"D (60cm)	4	2
714-202	Yes	2 door 12"W (30cm) x 6"H (15cm)	9.75"W (25cm) x 5"H (13cm) x 23.5"D (60cm)	2	2
714-203	Yes	1 door 6"W (15cm) x 6"H (15cm) 1 door 18"W (45cm) x 6"H (15cm)	3.75"W (9.5cm) x 5"H (13cm) x 23.5"D (60cm) 15.75"W (40cm) x 5"H (13cm) x 23.5"D (60cm)	2	2
714-204	Yes	1 door 24"W (61cm) x 6"H (15cm)	21.75"W (55cm) x 5"H (13cm) x 23.5"D (60cm)	1	2
714-205	Yes	2 door 12"W (30cm) x 12"H (30cm)	9.75"W (25cm) x 11"H (28cm) x 23.5"D (60cm)	2	4
714-206	Yes	1 door 6"W (15cm) x 12"H (30cm) 1 door 18"W (45cm) x 12"H (30cm)	3.75"W (9.5cm) x 11"H (28cm) x 23.5"D (60cm) 15.75"W (40cm) x 11"H (28cm) x 23.5"D (60cm)	2	4
714-207	Yes	1 door 24"W (61cm) x 12"H (30cm)	21.75"W (55cm) x 11"H (28cm) x 23.5"D (60cm)	1	4
714-208	Yes	1 door 24"W (61cm) x 18"H (45cm)	21.75"W (55cm) x 17"H (43cm) x 23.5"D (60cm)	1	6
714-209	Yes	1 door 24"W (61cm) x 24"H (61cm)	21.75"W (55cm) x 23"H (58cm) x 23.5"D (60cm)	1	8
714-210	Yes	4 door 6"W (15cm) x 36"H (91cm)	3.75"W (9.5cm) x 35"H (89cm) x 23.5"D (60cm)	4	12
714-211	Yes	2 door 12"W (30cm) x 72"H (183cm)	9.75"W (25cm) x 71"H (180cm) x 23.5"D (60cm)	2	24
714-212	Yes	2 door 12"W (30cm) x 18"H (45cm)	9.75"W (25cm) x 17"H (43cm) x 23.5"D (60cm)	2	6
714-213	Yes	1 door 12"W (30cm) x 6"H (15cm) 2 doors 6"W (15cm) x 6"H (15cm)	9.75"W (25cm) x 5"H (13cm) x 23.5"D (60cm) 3.75"W (9.5cm) x 5"H (13cm) x 23.5"D (60cm)	3	2
714-214	Yes	1 door 18"W (45cm) x 18"H (45cm) 1 door 6"W (15cm) x 18"H (45cm)	15.75"W (40cm) x 17"H (43cm) x 23.5"D (60cm) 3.75"W (9.5cm) x 17"H (43cm) x 23.5"D (60cm)	2	6
714-215	Yes	1 door 24"W (61cm) x 72"H (183cm)	21.75"W (55cm) x 71"H (180cm) x 23.5"D (60cm)	1	24
714-216	Yes	4 doors 6"W (15cm) x 12"H (30cm)	3.75"W (9.5cm) x 11"H (28cm) x 23.5"D (60cm)	4	4
714-217	Yes	1 door 24"W (61cm) x 36"H (91cm)	21.75"W (55cm) x 35"H (89cm) x 23.5"D (60cm)	1	12
714-218	Yes	3 doors 12"W (30cm) x 8"H (20cm)	6.25"W (16cm) x 11"H (28cm) x 23.5"D (60cm)	3	4
714-219	Yes	2 doors 24"W (61cm) x 36"H (91cm)	21.75"W (55cm) x 35"H (89cm) x 48.75"D (121cm)	2	N/A



AUTOLOCKER® FX SCALE

A Modular Locker System with Weight-Based Sensing Technology



The AutoLocker® FX Scale's locker system is designed to be completely modular in every way with weight-based sensing technology. This platform lets you build a custom configured locker system for the unique needs of your company.

The rack mounted approach allows you to configure exactly what you need and purchase only what you need. The internal scales allow you to track small and large items without the need to count or repackage. Inventory will automatically adjust once the transaction is completed. This scaling system helps reduce stocking time and allows for immediate reordering when stock gets low (dependent on weight).

You decide the frame size and weight capacity. The scaled modules are available in 9 different sizes for you to choose from. Scaled modules come in 24" (60cm) width with a standard 24" (60cm) depth and a wide variety of heights available that can be mixed and matched to provide a customized solution.

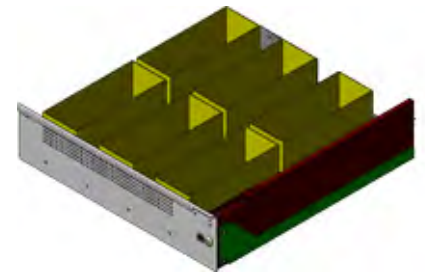
See-through windows with bright LED lighting allows the user to quickly identify the items they want and then issue it through an intuitive touch-screen user interface. Multistate LED status lights quickly identify which items are out on the floor as well as the status of the items that are inside the lockers.



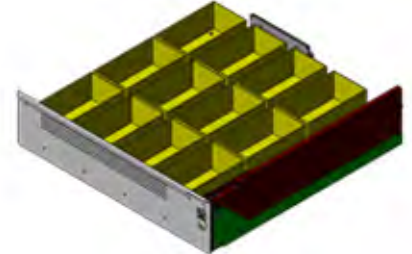
FEATURES

- High quality scale eliminates the need to count small items by hand and reduces restocking time
- Stand alone or add-on a RoboCrib®
- High-resolution 19" (48cm) touch display
- Up to 20 scaled modules per controller
- Small locker footprint
- Large see-through windows provide maximum visibility
- LED lighting clearly illuminates the product inside
- Informative status lights on each locker door or drawer
- Motor driven latches reduce jamming and maintenance issues
- Lockers can be numbered per the customer's requirement
- Can be configured with or without standard lockers
- Support up to 5 lbs., 25 lbs., or 50 lbs. per scale depending on configuration
- Minimum resolution: 1 gram (5 lbs. pad), 5 grams (25 lbs. pad), 10 grams (50 lbs. pad)
- Optional: Caster wheels make it easy to relocate lockers where you want them
- Power: 100-240VAC-50/60HZ, 2A/1.0A MAX

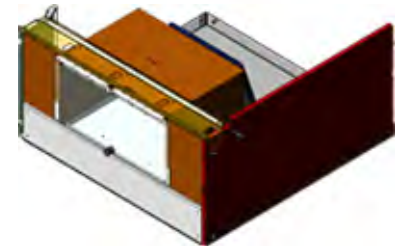
Part Number	Door Dimensions	Useable Capacity	Required Rack Space
714-111	1 drawer 24"W (60cm) x 6"H (15cm)	6-Bins at 161.2 in ³ per Bin	2
714-112	1 drawer 24"W (60cm) x 6"H (15cm)	12-Bins at 80.3 in ³ per Bin	2
714-250	1 door 24"W (60cm) x 12"H (30cm)	Not Applicable	4
714-252	1 door 24"W (60cm) x 12"H (30cm)	2-Bins at 1,549.8 in ³ per Bin	4
714-253	1 door 24"W (60cm) x 12"H (30cm)	3-Bins at 861 in ³ per Bin	4
714-254	1 door 24"W (60cm) x 12"H (30cm)	4-Bins at 602.7 in ³ per Bin	4
714-261	1 door 24"W (60cm) x 18"H (30cm)	1- Disk Stack 18" Dia.	6
714-264	1 door 24"W (60cm) x 12"H 45cm)	4- Disk Stacks at 7.8" Dia.	4
714-273	1 door 24"W (60cm) x 24"H (45cm)	3-Bins at 2,100 in ³ per Bin	8



714-111



714-112



714-250



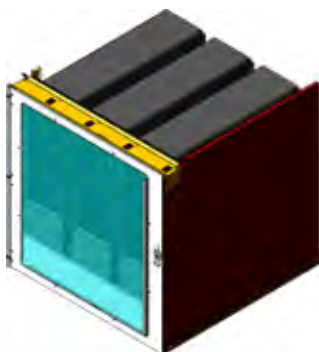
714-252



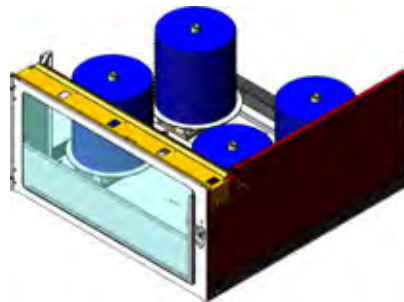
714-253



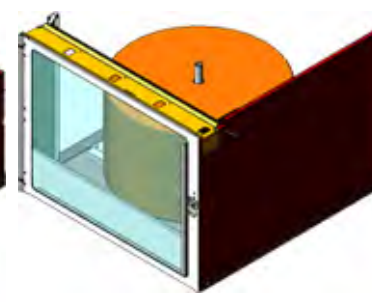
714-254



714-273



714-264



714-261



AUTOLOCKER® FX



A Truly Modular Locker System That Can Be Configured or Reconfigured On-The-Fly

The AutoLocker® FX is the first and only locker system on the market designed to be completely modular in every way. This platform lets you build a custom configured locker system for the unique needs of your company.

The rack mounted approach allows you to configure exactly what you need and purchase only what you need. No need to purchase excess lockers and use up valuable floor space.

You decide the frame size, locker size, power (Optional), and network switch (Optional). Locker modules are available in 22 different sizes for you to choose from. Locker modules come in 3" (8cm) high increments with a standard 24" (60cm) depth and a wide variety of widths available that can be mixed and matched to provide a customized solution.

See-through windows with bright LED lighting allow the user to quickly identify the items they want and then issue it through an intuitive touch-screen user interface. Multistate LED status lights quickly identify which items are out on the floor as well as the status of the items that are inside the lockers.

The AutoLocker® FX also provides for optional 110VAC power outlets so that battery operated tools and equipment can be charged while in the locker. Further, the system will manage the charge time and always dispense the item with the longest charge. E-Tools (laptops and iPads) can also be charged while managing virus definitions and operating system updates.

SOUTHWESTSOLUTIONSGROUP

SouthwestSolutions.com | 800-803-1083 | info@southwestsolutions.com

FEATURES

- Stand-Alone or Add-On a RoboCrib®
- High-resolution 19" (48cm) touch display
- Small locker footprint
- Large see-through windows provide maximum visibility
- LED lighting clearly illuminates the product inside
- Informative status lights on each locker door or drawer
- Motor driven latches reduce jamming and maintenance issues
- Lockers can be numbered per the customer's requirement
- Easily reconfigured by changing door sizes and dividers
- Special locker drawers available for laptops, tablets and eTools
- Ability to issue only items that are fully charged or with the most remaining battery life first
- Can be configured with or without standard lockers
- Optional: 110v Power for keeping batteries and items fully charged
- Optional: Individual cooling fans and filtration systems to keep e-tools clean and cool
- Optional: Managed switch systems to push updates and virus definitions to laptops, equipment, and e-tools
- Optional: Caster wheels make it easy to relocate lockers where you want them
- Power: 100-240VAC- 50/60HZ, 2A/1.0A MAX

Part Number	Optional: Power/ LAN	Door Dimensions	Useable Capacity	Number of Doors	Required Rack Space
714-101	Yes	1 drawer 24"W (61cm) x 3"H (7cm)	17"W (43cm) x 1.75"H (4cm) x 17.5"D (44cm)	1	1
714-102	Yes	1 drawer 24"W (61cm) x 6"H(15cm)	17"W (43cm) x 4.75"H (12cm) x 17.5"D (44cm)	1	2
714-103	Yes	2 drawer 12"W (30cm) x 3"H (7cm)	7.5"W (19cm) x 1.75"H (4cm) x 17.5"D (44cm)	2	1
714-104	Yes	1 drawer 24"W (61cm) x 4.5"H (11cm)	17"W (43cm) x 3.5"H (9cm) x 17.5"D (44cm)	1	1.5
714-201	Yes	4 door 6"W (15cm) x 6"H (15cm)	3.75"W (9.5cm) x 5"H (13cm) x 23.5"D (60cm)	4	2
714-202	Yes	2 door 12"W (30cm) x 6"H (15cm)	9.75"W (25cm) x 5"H (13cm) x 23.5"D (60cm)	2	2
714-203	Yes	1 door 6"W (15cm) x 6"H (15cm) 1 door 18"W (45cm) x 6"H (15cm)	3.75"W (9.5cm) x 5"H (13cm) x 23.5"D (60cm) 15.75"W (40cm) x 5"H (13cm) x 23.5"D (60cm)	2	2
714-204	Yes	1 door 24"W (61cm) x 6"H (15cm)	21.75"W (55cm) x 5"H (13cm) x 23.5"D (60cm)	1	2
714-205	Yes	2 door 12"W (30cm) x 12"H (30cm)	9.75"W (25cm) x 11"H (28cm) x 23.5"D (60cm)	2	4
714-206	Yes	1 door 6"W (15cm) x 12"H (30cm) 1 door 18"W (45cm) x 12"H (30cm)	3.75"W (9.5cm) x 11"H (28cm) x 23.5"D (60cm) 15.75"W (40cm) x 11"H (28cm) x 23.5"D (60cm)	2	4
714-207	Yes	1 door 24"W (61cm) x 12"H (30cm)	21.75"W (55cm) x 11"H (28cm) x 23.5"D (60cm)	1	4
714-208	Yes	1 door 24"W (61cm) x 18"H (45cm)	21.75"W (55cm) x 17"H (43cm) x 23.5"D (60cm)	1	6
714-209	Yes	1 door 24"W (61cm) x 24"H (61cm)	21.75"W (55cm) x 23"H (58cm) x 23.5"D (60cm)	1	8
714-210	Yes	4 door 6"W (15cm) x 36"H (91cm)	3.75"W (9.5cm) x 35"H (89cm) x 23.5"D (60cm)	4	12
714-211	Yes	2 door 12"W (30cm) x 72"H (183cm)	9.75"W (25cm) x 71"H (180cm) x 23.5"D (60cm)	2	24
714-212	Yes	2 door 12"W (30cm) x 18"H (45cm)	9.75"W (25cm) x 17"H (43cm) x 23.5"D (60cm)	2	6
714-213	Yes	1 door 12"W (30cm) x 6"H (15cm) 2 doors 6"W (15cm) x 6"H (15cm)	9.75"W (25cm) x 5"H (13cm) x 23.5"D (60cm) 3.75"W (9.5cm) x 5"H (13cm) x 23.5"D (60cm)	3	2
714-214	Yes	1 door 18"W (45cm) x 18"H (45cm) 1 door 6"W (15cm) x 18"H (45cm)	15.75"W (40cm) x 17"H (43cm) x 23.5"D (60cm) 3.75"W (9.5cm) x 17"H (43cm) x 23.5"D (60cm)	2	6
714-215	Yes	1 door 24"W (61cm) x 72"H (183cm)	21.75"W (55cm) x 71"H (180cm) x 23.5"D (60cm)	1	24
714-216	Yes	4 doors 6"W (15cm) x 12"H (30cm)	3.75"W (9.5cm) x 11"H (28cm) x 23.5"D (60cm)	4	4
714-217	Yes	1 door 24"W (61cm) x 36"H (91cm)	21.75"W (55cm) x 35"H (89cm) x 23.5"D (60cm)	1	12
714-218	Yes	3 doors 12"W (30cm) x 8"H (20cm)	6.25"W (16cm) x 11"H (28cm) x 23.5"D (60cm)	3	4
714-219	Yes	2 doors 24"W (61cm) x 36"H (91cm)	21.75"W (55cm) x 35"H (89cm) x 48.75"D (121cm)	2	N/A

