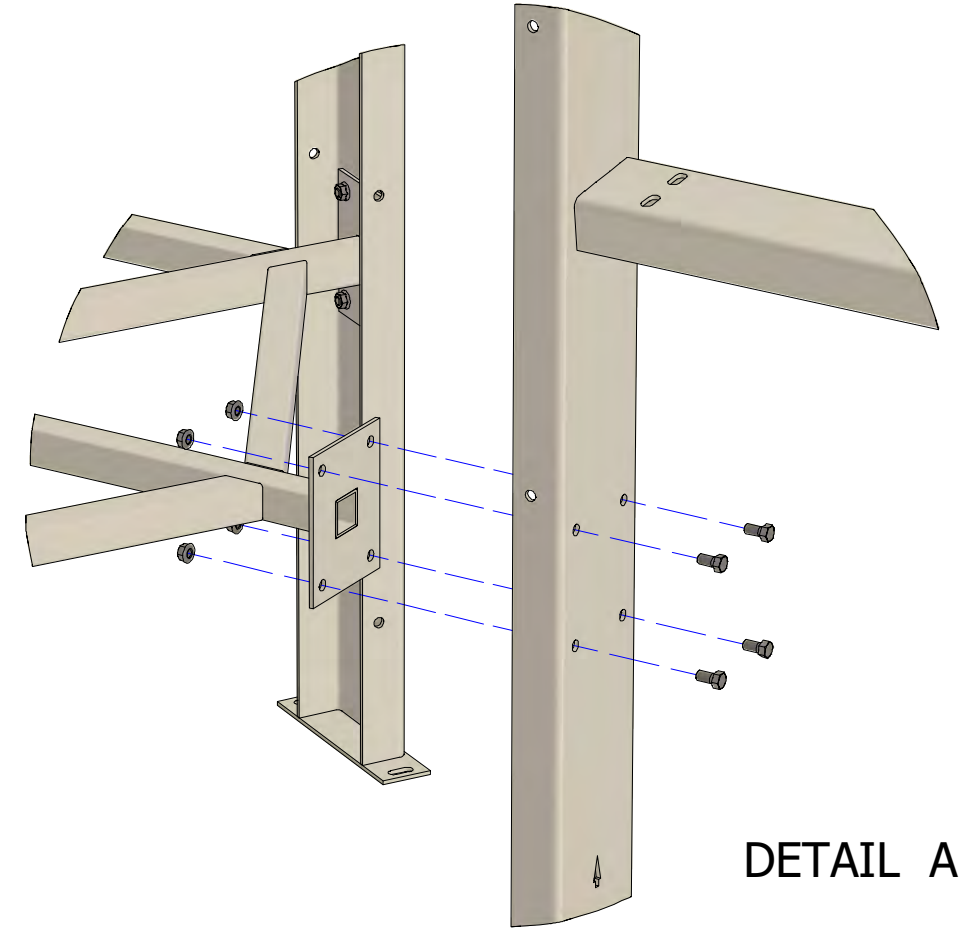
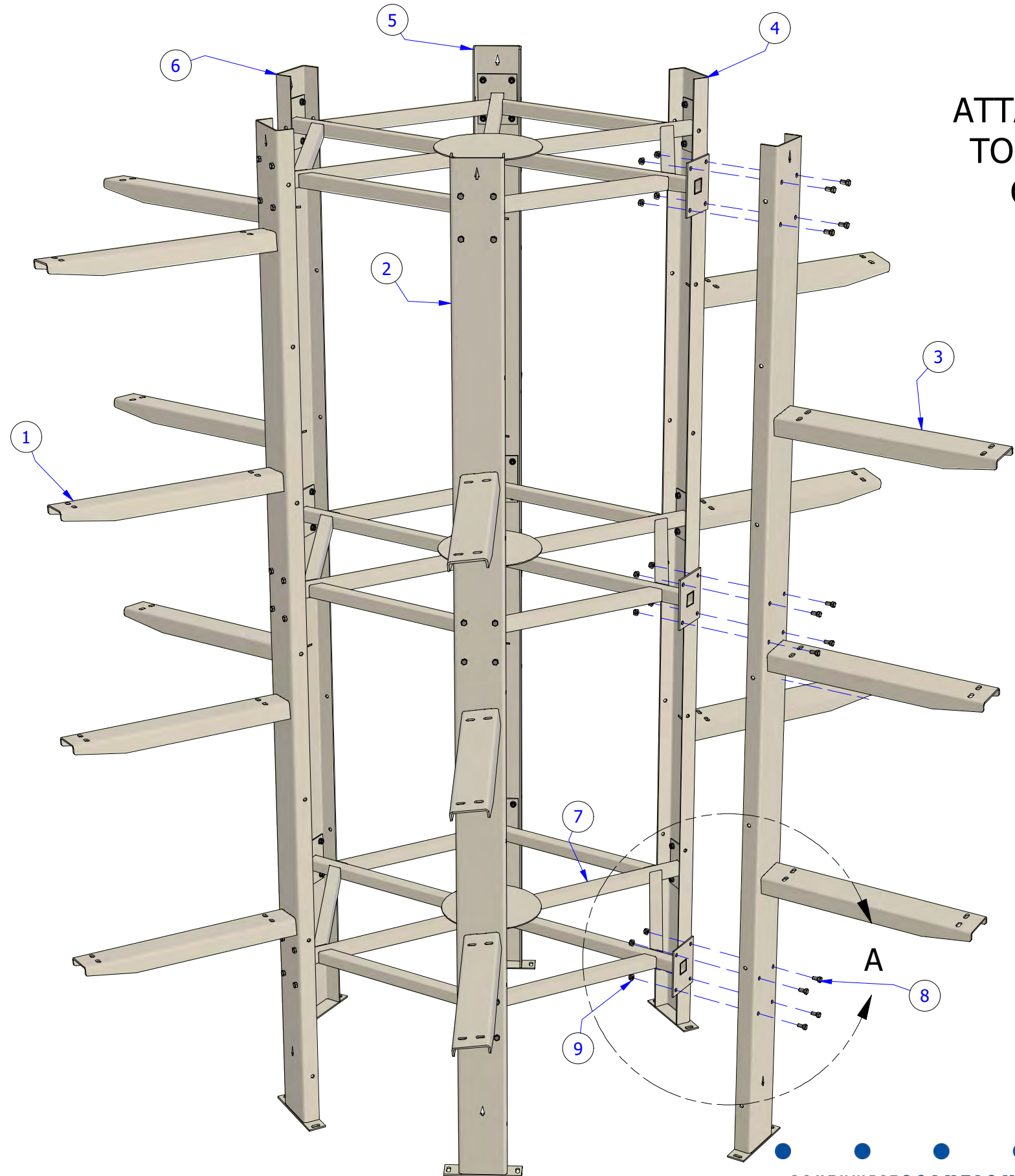


SouthwestSolutions.com | 800-803-1083 | info@southwestsolutions.com

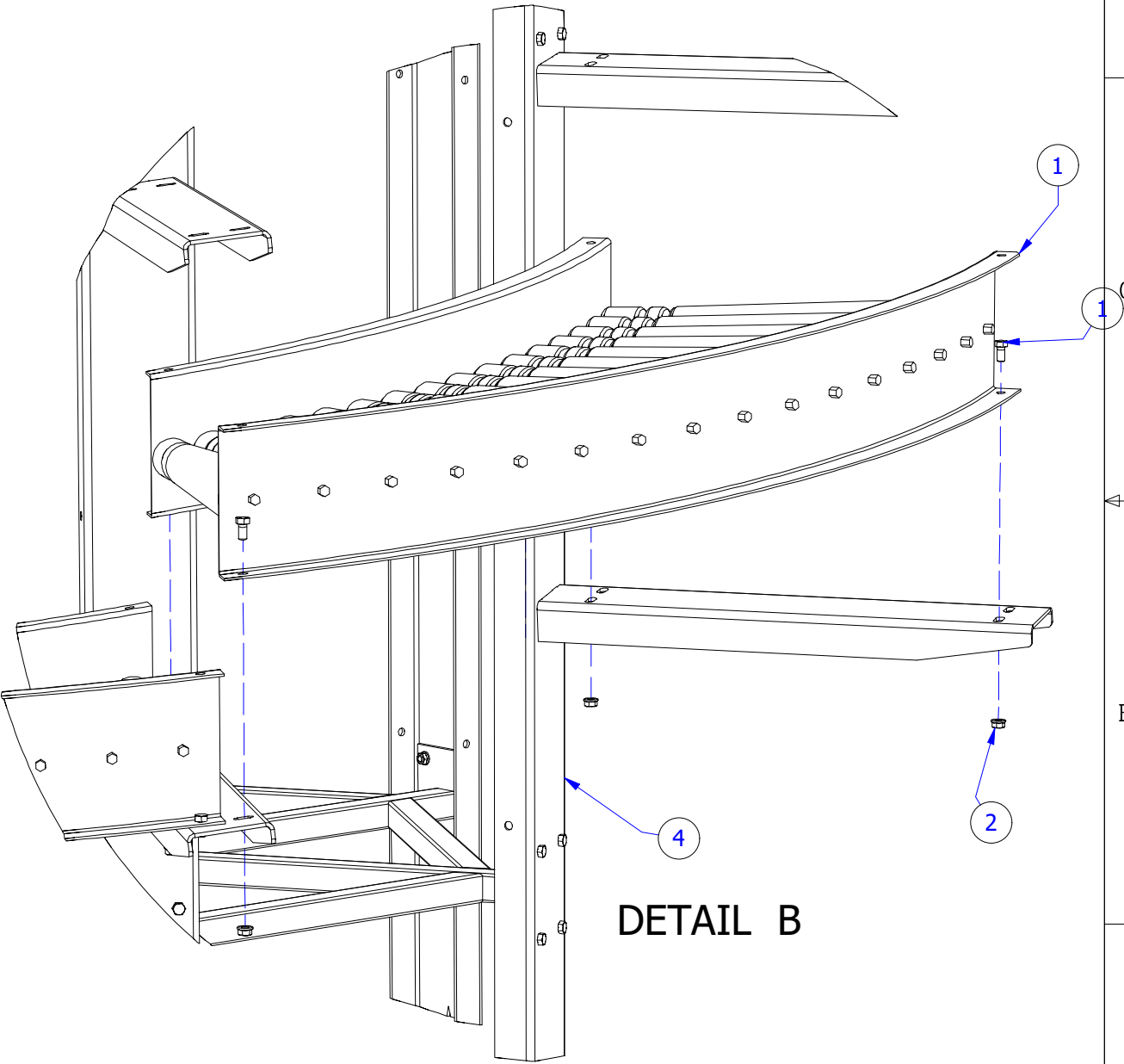
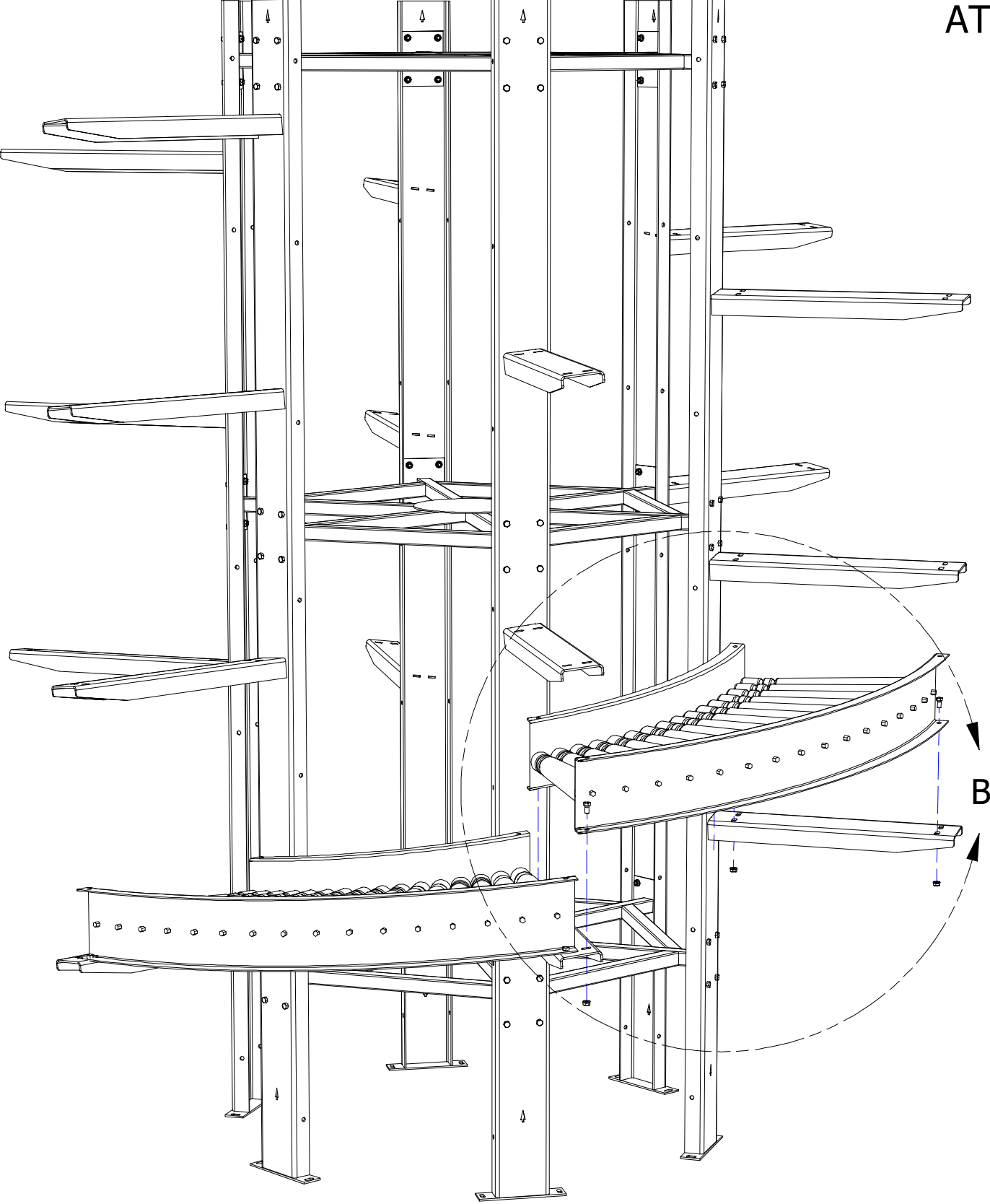
PARTS LIST		
ITEM	PART NUMBER	DESCRIPTION
1	RCE-UPR-1	UPRIGHT 1 WELDMENT
2	RCE-UPR-2	UPRIGHT 2 WELDMENT
3	RCE-UPR-3	UPRIGHT 3 WELDMENT
4	RCE-UPR-4	UPRIGHT 4 WELDMENT
5	RCE-UPR-5	UPRIGHT 5 WELDMENT
6	RCE-UPR-6	UPRIGHT 6 WELDMENT
7	RCE-SPIRAL-HUB	CENTRAL HUB
8	3/8-16 - 3/4	HEX BOLT
9	3/8 - 16	HEX FLANGE NUT

ATTACH EACH UPRIGHT
TO CENTRAL HUBS IN
CORRECT ORDER



DETAIL A

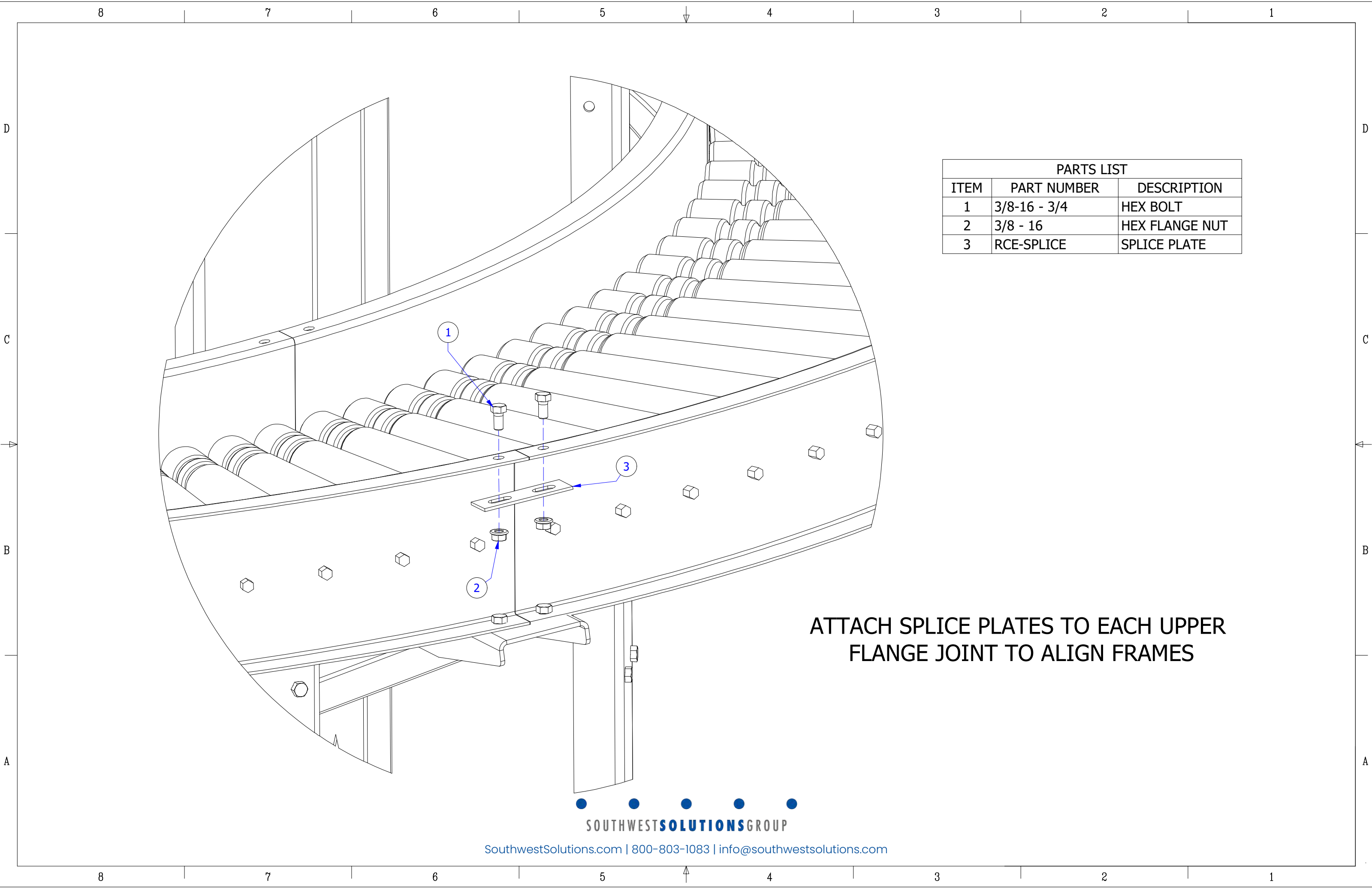
ATTACH EACH CURVE BED TO SUPPORT STRUCTURE
 WORKING YOUR WAY UP AND AROUND SPIRAL
 ENSURE ALL CURVE BEDS ARE ALIGNED
 DO NOT TIGHTEN BOLTS UNTIL END



PARTS LIST		
ITEM	PART NUMBER	DESCRIPTION
1	RCE-20BF-SPIRAL	SPIRAL BED
1	3/8-16 - 3/4	HEX BOLT
2	3/8 - 16	HEX FLANGE NUT
4	FRAME	SPIRAL FRAME

SOUTHWEST SOLUTIONS GROUP

SouthwestSolutions.com | 800-803-1083 | info@southwestsolutions.com



PARTS LIST		
ITEM	PART NUMBER	DESCRIPTION
1	3/8-16 - 3/4	HEX BOLT
2	3/8 - 16	HEX FLANGE NUT
3	RCE-SPLICE	SPLICE PLATE

ATTACH SPLICE PLATES TO EACH UPPER FLANGE JOINT TO ALIGN FRAMES

SOUTHWEST SOLUTIONS GROUP

SouthwestSolutions.com | 800-803-1083 | info@southwestsolutions.com