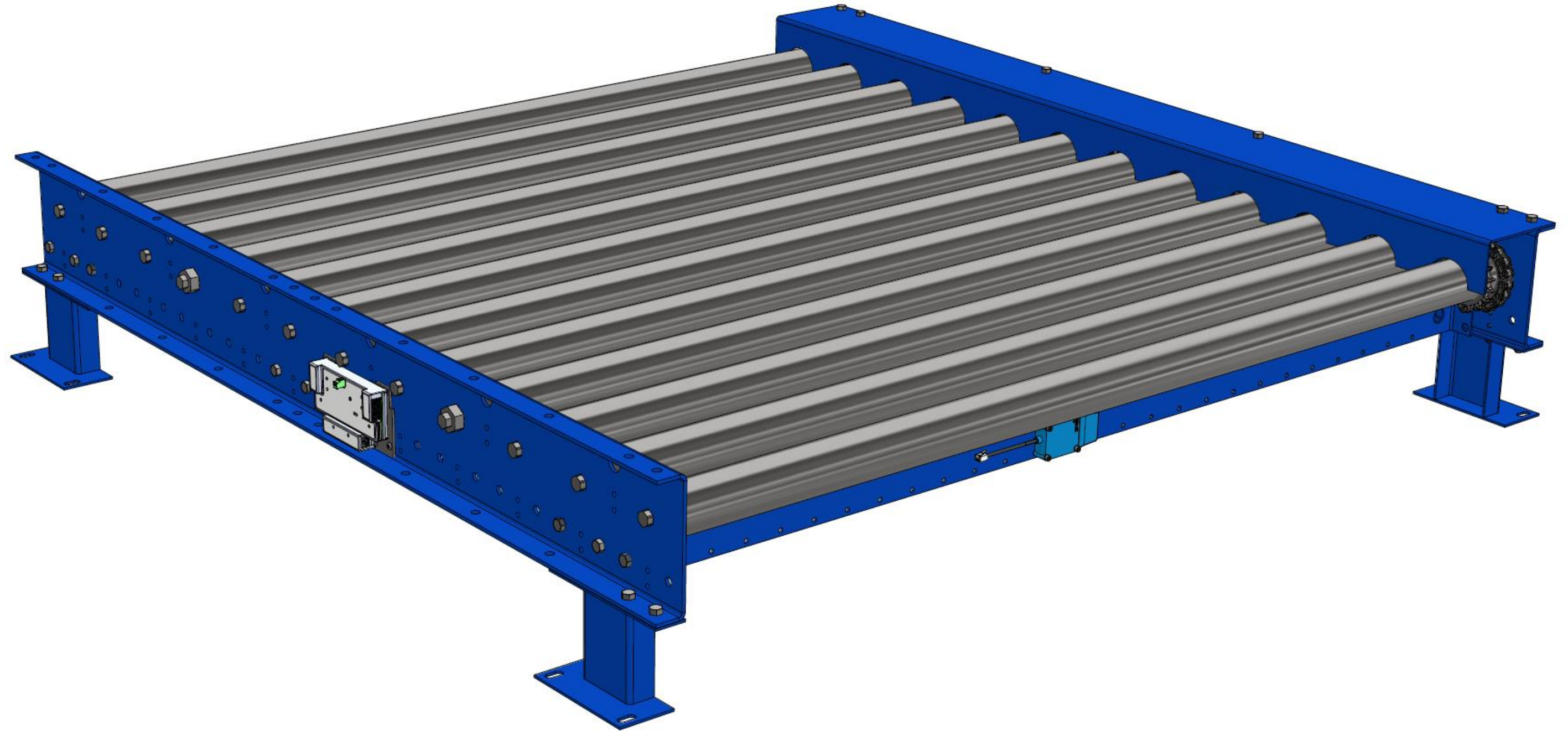
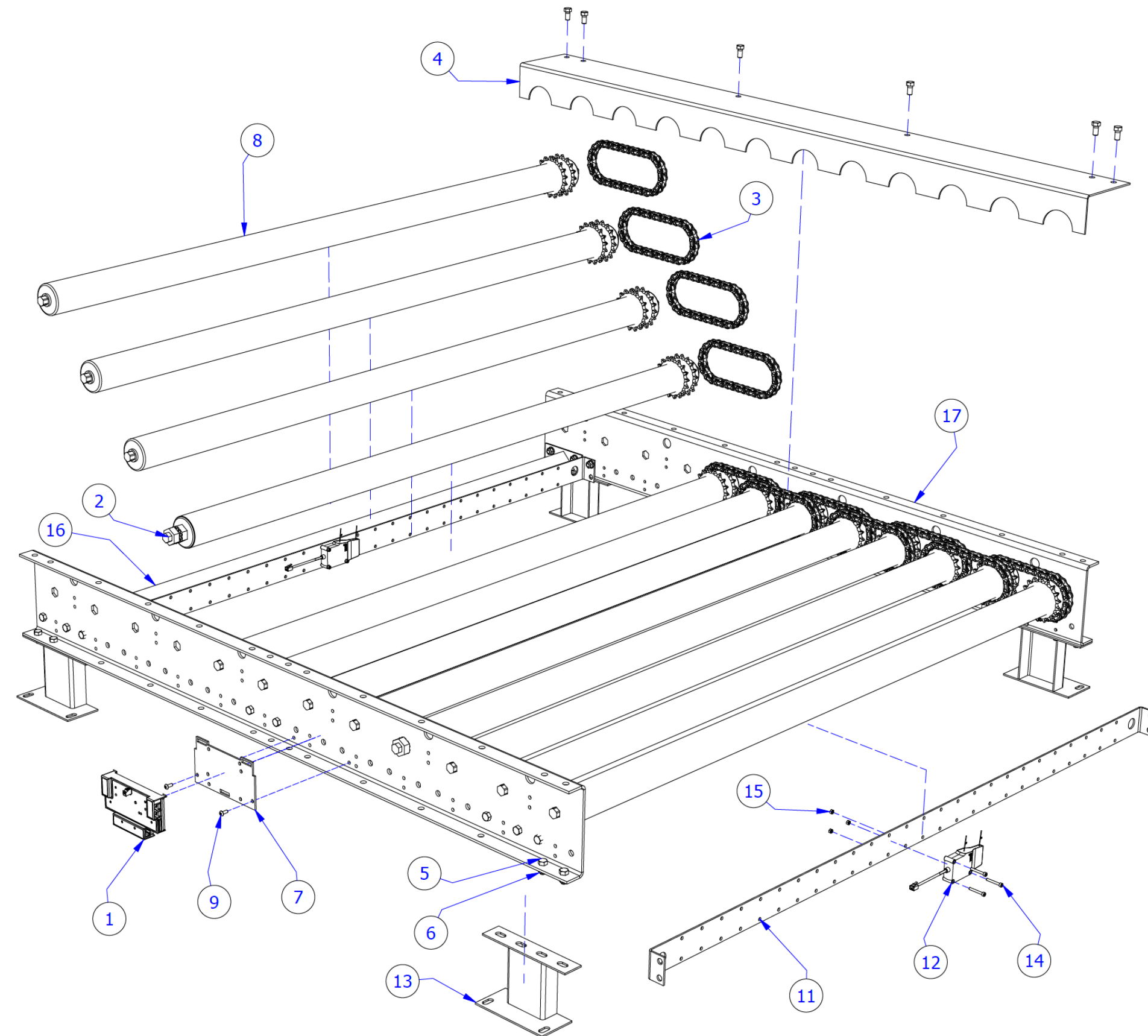


MDR PALLET CONVEYOR

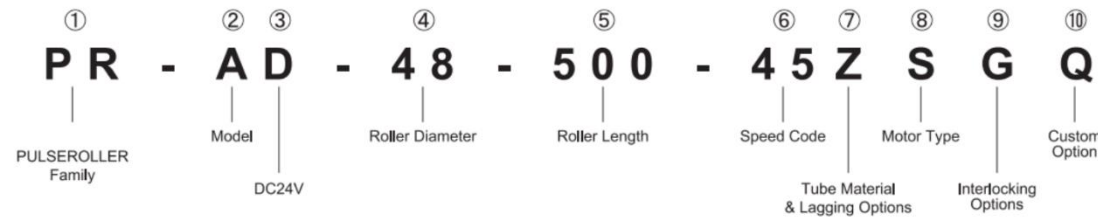




MDR PALLET CONVEYOR PARTS LIST			
ITEM	QTY	PART NUMBER	DESCRIPTION
1	1	CONVEYLINX	CONTROL CARD
2	2	PR-XX-XX-XXX-XXX-X-X-X	DRIVE ROLLER
3	11	NO. 50 CHAIN	CHAIN DRIVE
4	1	RCE-60-UPG-5RC	CHAIN GUARD
5	30	3/8-16 - 3/4	HEX BOLT
6	30	3/8 - 16	HEX FLANGE NUT
7	1	RCE-CONVEYLINX-BRACKET	CARD BRACKET
8	10	XXXXDA-ROLLER	IDLER ROLLER
9	2	10 - 24 x 1/2	SOCKET HEAD BOLT
10	2	10 - 24	NEX NUT
11	2	RCE-DIFF-BRKT-XXBF	DIFFUSED PHOTO EYE BRACKET
12	2	S259195	DIFFUSED PHOTO EYE
13	4	RCE-X-X-LA	LEG ASSEMBLY
14	6	M4x0.7 x 30	SOCKET HEAD BOLT
15	6	M4 x 0.7	HEX NUT
16	3	RCE-PFCM-XXBF-Welded	WELDED CROSSMEMBER
17	2	RCE-PALLET-F-RSL-XX-XRC	BED FRAME

PulseRoller Part Numbers

Part Number Definition



② Model

- A** -- Standard
- D** -- Dual Drive
- W** -- Wash-down Rated (IP-66)
- B** -- Built-in Brake
- V** -- NSF Certified Wash-down Rated (IP-66)
- Z** -- Freezer Rated

④ Roller Diameter

- 48** -- 48.6 mm (1.9")
- 50** -- 50.0 mm (1.97")
- 57** -- 57.0 mm (2.24")
- 60** -- 60.5 mm (2.38")

⑤ Roller Length (mm) – Available in 1 mm increments

Formulas for Roller Length (RL) based upon Between Frame (BF) dimension for proper clearance

For Interlocking Options **A** and **G**: $RL = BF - 8mm - \text{Customer Required Clearance}$

For Interlocking Options **H** and **F**: $RL = BF - 35mm - \text{Customer Required Clearance}$

For most conveyor applications, Customer Required Clearance = 2mm

⑥ Speed code

Select Speed Code from "Available Speed Codes with Performance Data" table in Characteristics Data tab

⑦ Tube Material and Lagging Options¹

- Z** -- Steel, Zinc Plating, No Lagging (Standard for Roller Diameters **48** and **50**)
- A** -- Steel Unichrome Plating, No Lagging (Standard for Model **V**, **W** and Roller Diameters **57** and **60**)
- J** -- Stainless tube
- B** -- 3 mm Black rubber lagging
- W** -- 3 mm Urethane lagging
- K** -- 3 mm Kastalon sleeve (orange)
- Q** -- 2 mm PVC Grey sleeve
- Y** -- Special

⑧ Motor Type²

- S** -- SENERGY (JST Connector)
- M** -- SENERGY-Ai (4 Pin M8 Connector)

⑨ Interlocking Options¹

- A** -- Plain Straight, No Interlocking
- H** -- Micro V-Pulley
- D** -- Dual Sprockets
- G** -- Round Groove
- F** -- Round Groove Pulley
- Y** -- Special

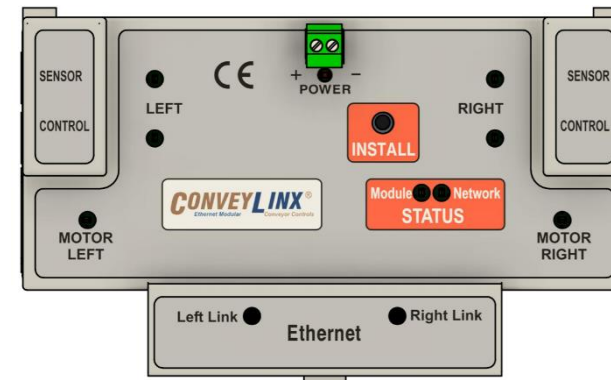
⑩ Custom Option

- Q** -- Standard
- Y** -- Special
- B** -- Double Bearing Pinned Construction

Control Card Types

For accumulation conveyor: ConveyLinX

For transportation Conveyor: EQuBe



Pulse Roller Dual Sprocket Pallet Roller

MODEL PR-PD-63-XXX-XXASDQ

