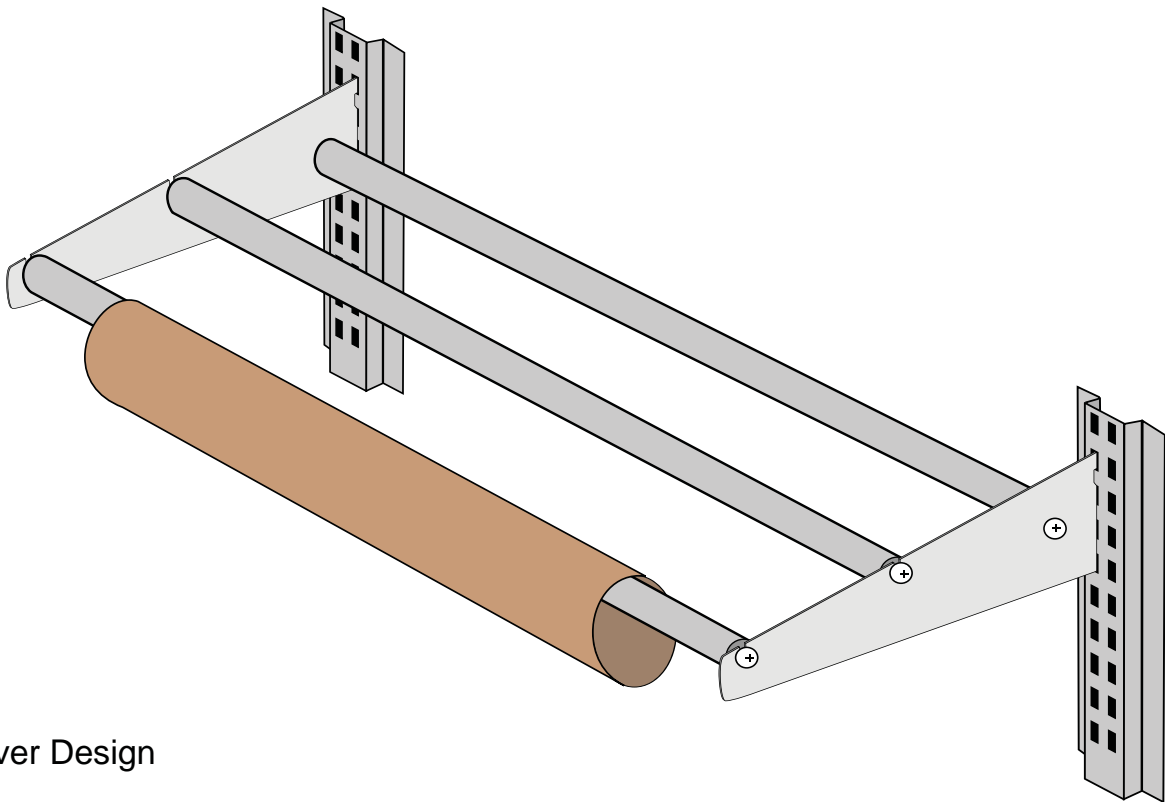


Cantilever Textile Rail System



Cantilever Design

Multiple widths/depths available

Use one or more rails as needed

Allows for easy access of products without 4 post being in the way of retrieval.

Rails sit into a U Punch on the cantilever so that the the fabric roll can be easily removed.

Accommodates Fabrics/Rare Textiles/Hanging Items

